

WORKSTATION

DUAL-MOTOR ADJUSTABLE RISING DESK



USER MANUAL



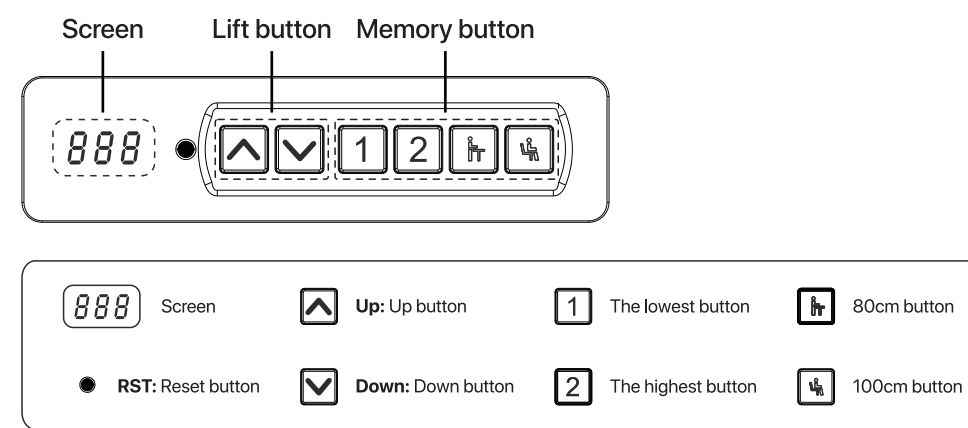
Notes:

- 1. Input: AC100~240V / 50-60Hz.
2. Operating Temperature: 0~40°C.
3. After the DW114 assembly is finished, please press the "RST" button before using it (see No.1 Position Reset).
4. Before use, please check whether all the cables are fully connected.
5. Keep children away from the adjustable rising desk and control units. There is a risk of injury and electric shock.
6. Keep all electrical components away from liquids.
7. Do not use any damaged cable or electrical parts, as it may cause electric shock and injury.
8. Do not open any of the components (riser control box, legs, or motor). There is a risk of electric shock.
9. Do not attempt to open or repair the components. Use only manufacturer supplied components and cables.
10. This is a heavy product and not suitable for frequent moves. It requires at least two people when moving it.
11. Please handle with care and avoid any injury.
12. When the table is risen or descended, there is a slight jitter, which is a normal phenomenon from the transmission structure because of the sudden activation and does not affect its service life.

DUBLIN

DW114

HOW TO USE



1. Position Reset

Press & hold the "RST" key for 5 seconds, then release the button to enter the reset mode. The reset is complete.
2. Lifting Operation
Press the "Up" button to raise the table. Long press the "Up" button for 3 seconds, then release the button to automatically raise it to the highest level.
Press the "Down" button to lower the table. After holding the "Down" button for 3 seconds, release the button and it will automatically rise to the lowest height.

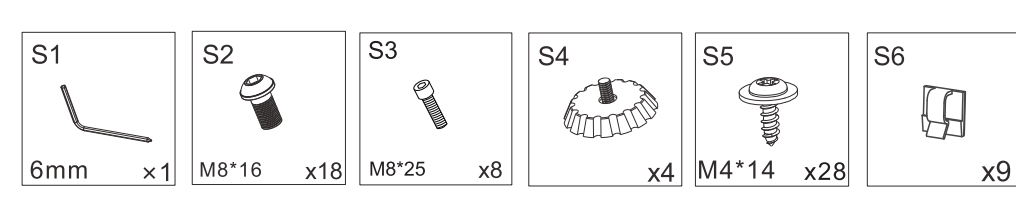
3. High Memory Setting

The "Up" button is set to "maximum height" by default.
Custom Setting: Lift the table to the desired position. Long press for 3 seconds, the screen flashes, and the setting is successful.
The "Down" button is set to "maximum height" by default.
Custom Setting: Lift the table to the desired position. Long press for 3 seconds, the screen will flash, indicating successful setting.
The "Up" button is set to "80cm height" by default.
Custom Setting: Lift the table to the desired position. Long press for 3 seconds, the screen will flash, indicating successful setting.
The "Down" button is set to "100cm height" by default.
Custom Setting: Lift the table to the desired position, Long press for 3 seconds, the screen will flash indicating successful setting.

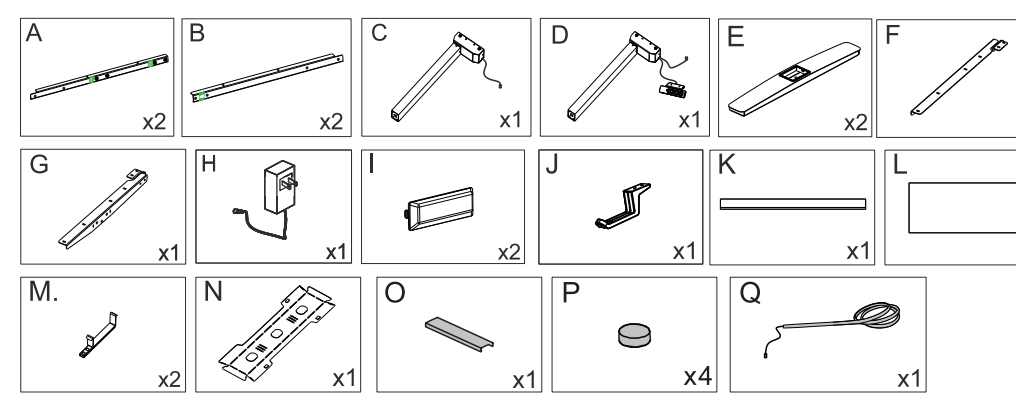
4. Child lock function

Press "Up" + "Down" button for 5s at the same time, the screen displays LOC, and the child lock is complete. Press 5s at the same time, and the child lock ends.

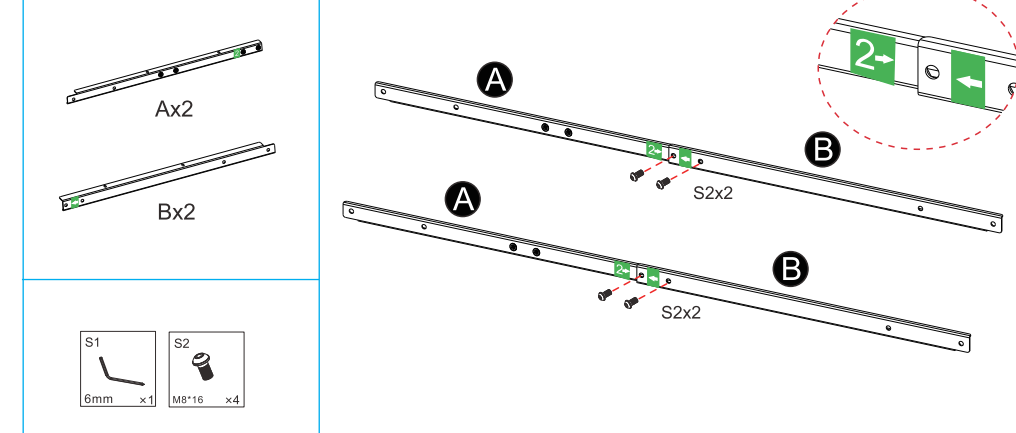
SCREW LIST



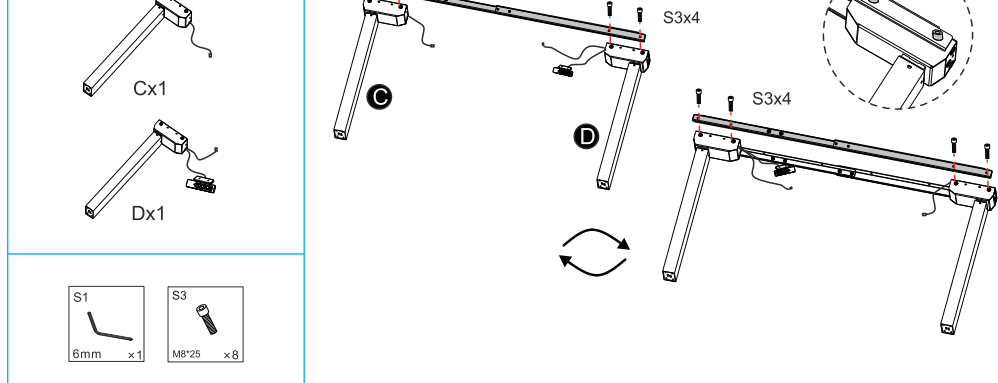
PART LIST



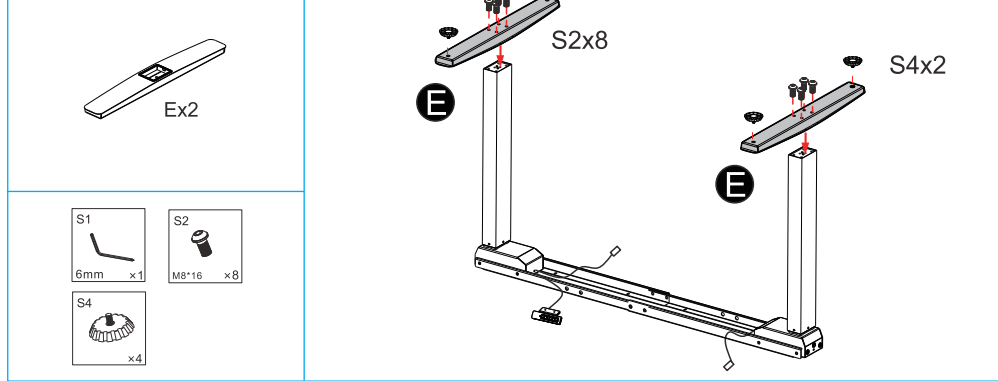
STEP 1



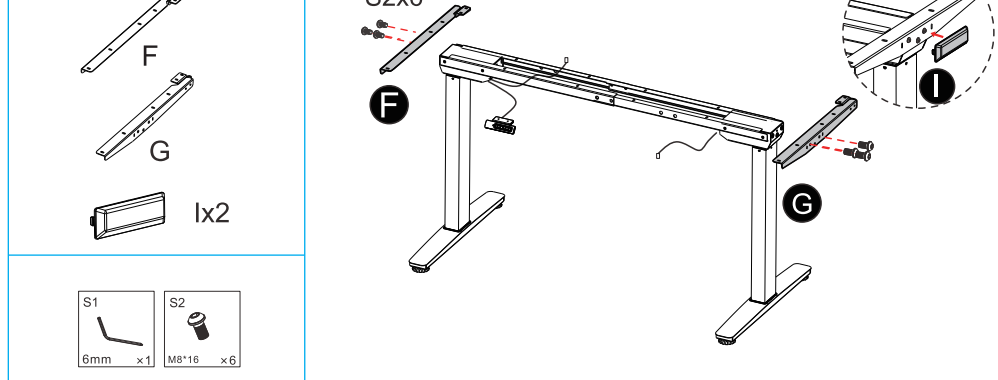
STEP 2



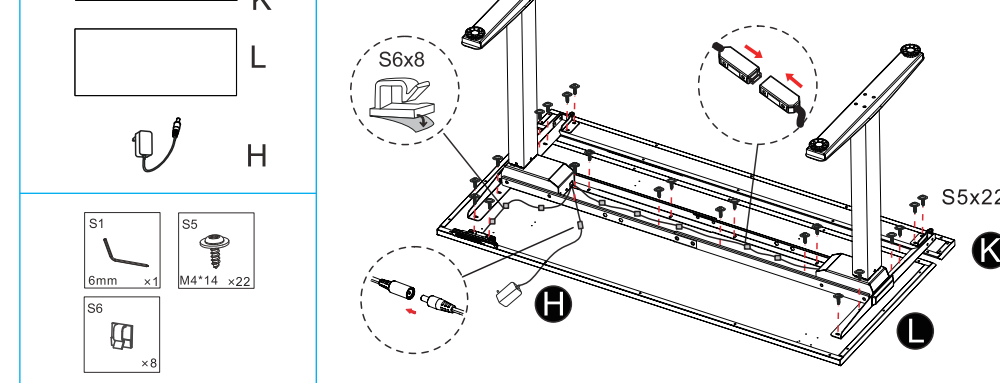
STEP 3



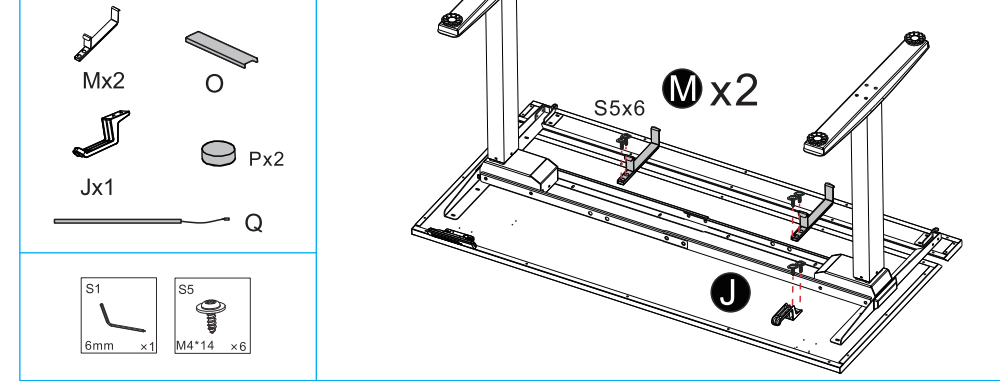
STEP 4



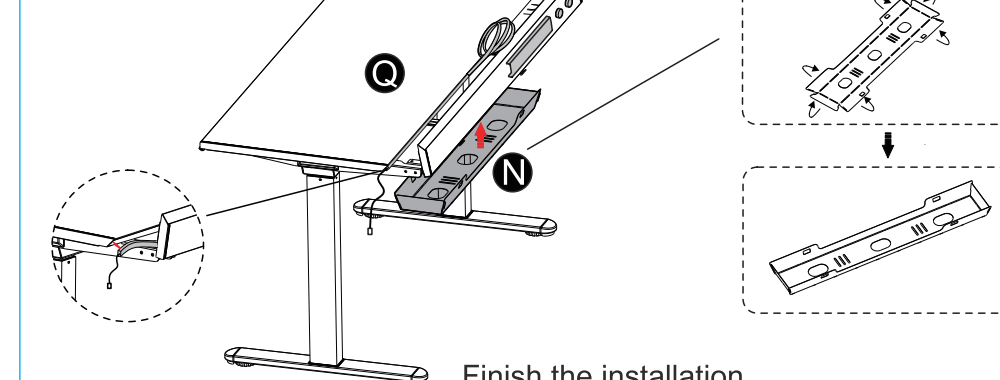
STEP 5



STEP 6



STEP 6



WORKSTATION



Scan the barcode to go to the Fantech World YouTube channel to see the assembly process video.

WORKSTATION

DUAL-MOTOR ADJUSTABLE RISING DESK



PANDUAN PENGGUNA



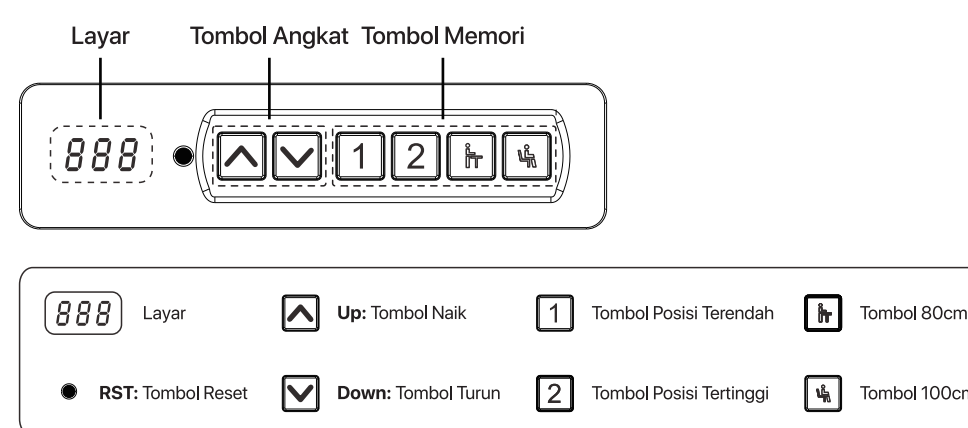
Notes:

- 1. Input: AC100~240V / 50-60Hz.
2. Suhu Operasi: 0~40°C.
3. Setelah perakitan DW114 selesai, tekan tombol "RST" sebelum menggunakannya. (Lihat Posisi Reset No.1)
4. Sebelum digunakan, pastikan semua kabel terhubung dengan baik.
5. Jauhkan anak-anak dari meja yang dapat diatur ketinggiannya dan unit kontrol. Ada risiko cedera dan sengatan listrik.
6. Jauhkan semua komponen listrik dari cairan.
7. Jangan gunakan kabel atau komponen listrik yang rusak, karena dapat menyebabkan sengatan listrik dan cedera.
8. Jangan membuka komponen apa pun (kotak kontrol pengangkat, kaki, atau motor). Ada risiko sengatan listrik.
9. Jangan coba membuka atau memperbaiki komponen. Gunakan hanya komponen dan kabel yang disediakan oleh pabrikan.
10. Ini adalah produk berat dan tidak cocok untuk dipindahkan secara sering. Diperlukan setidaknya dua orang saat memindahkannya.
11. Harap perlakukan dengan hati-hati dan hindari cedera.
12. Ketika meja dinaikkan atau diturunkan, ada sedikit getaran, yang merupakan fenomena normal dari struktur transmisi akibat pengaktifan mendadak dan tidak mempengaruhi umur layanan.

DUBLIN

DW114

CARA PENGGUNAAN



1. Reset Posisi

Tekan tombol tahan tombol "RST" selama 5 detik, kemudian lepaskan tombol untuk masuk ke mode reset. Reset selesai.
2. Operasi Pengangkatan
Tekan tombol "Up" untuk menaikkan meja. Tekan dan tahan tombol "Up" selama 3 detik, kemudian lepaskan tombol untuk menaikkan meja secara otomatis ke level tertinggi.
Tekan tombol "Down" untuk menurunkan meja. Setelah menahan tombol "Down" selama 3 detik, lepaskan tombol dan meja akan turun otomatis ke ketinggian terendah.

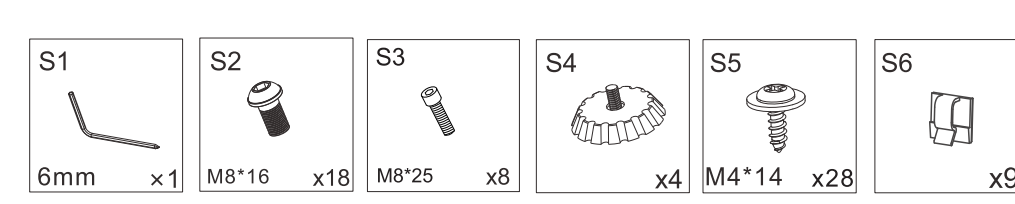
3. Pengaturan Memori Tinggi

Tombol "Up" diatur ke "ketinggian maksimum" secara default.
Pengaturan Kustom: Angkat meja ke posisi yang diinginkan. Tekan dan tahan selama 3 detik, layar berkedip, pengaturan berhasil.
Tombol "Down" diatur ke "tinggi 80cm" secara default.
Pengaturan Kustom: Angkat meja ke posisi yang diinginkan. Tekan dan tahan selama 3 detik, layar berkedip, pengaturan berhasil.
Tombol "Up" diatur ke "tinggi 100cm" secara default.
Pengaturan Kustom: Angkat meja ke posisi yang diinginkan. Tekan dan tahan selama 3 detik, layar berkedip, pengaturan berhasil.

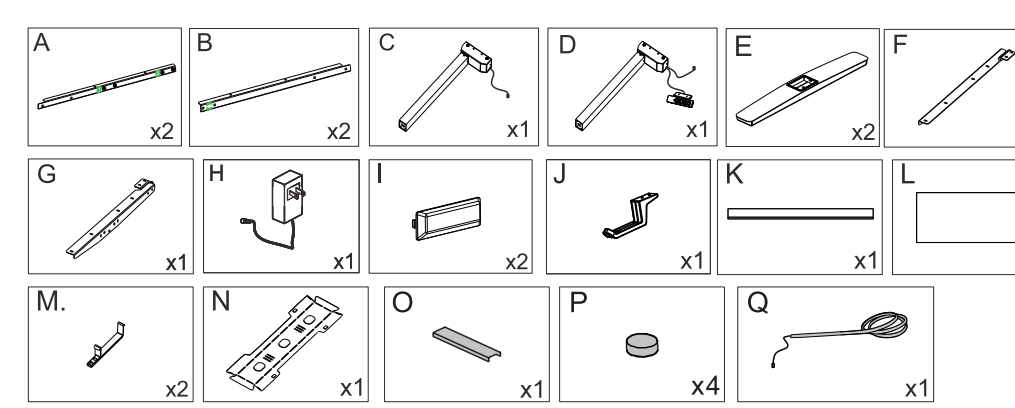
4. Fungsi Kunci Anak

Press "Up" + "Down" button for 5s at the same time, the screen displays LOC, and the child lock is complete. Press 5s at the same time, and the child lock ends.

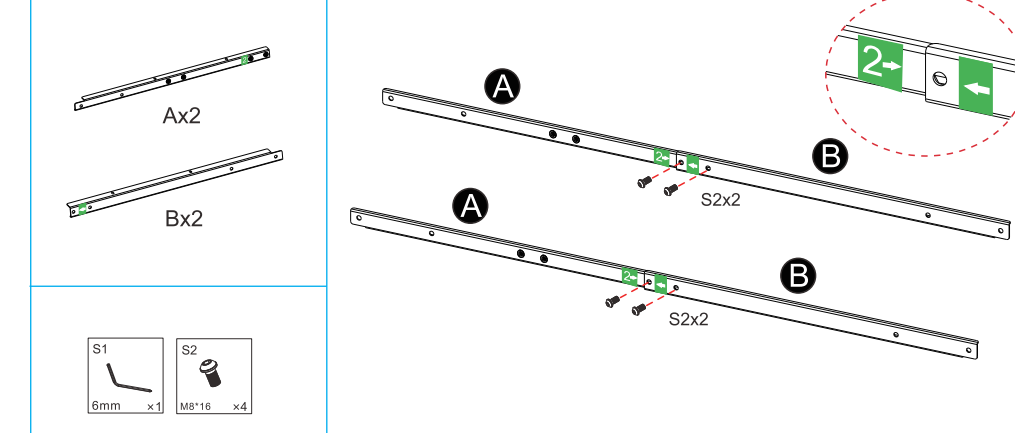
DAFTAR BAUT



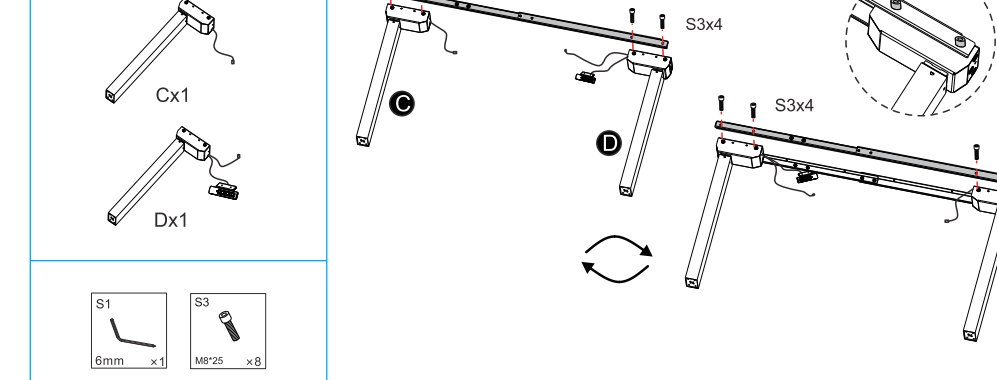
DAFTAR BAGIAN



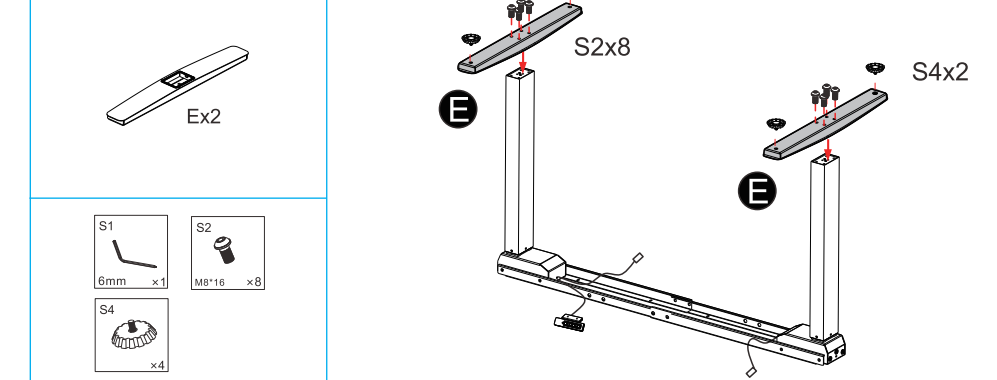
LANGKAH SATU



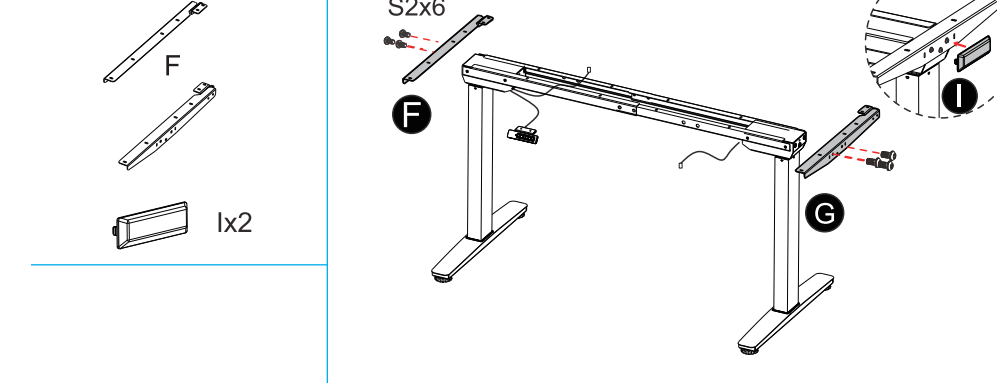
LANGKAH DUA



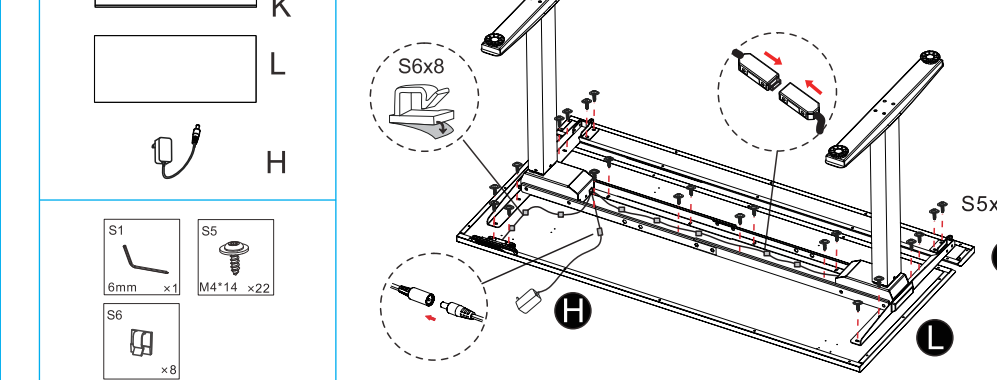
LANGKAH TIGA



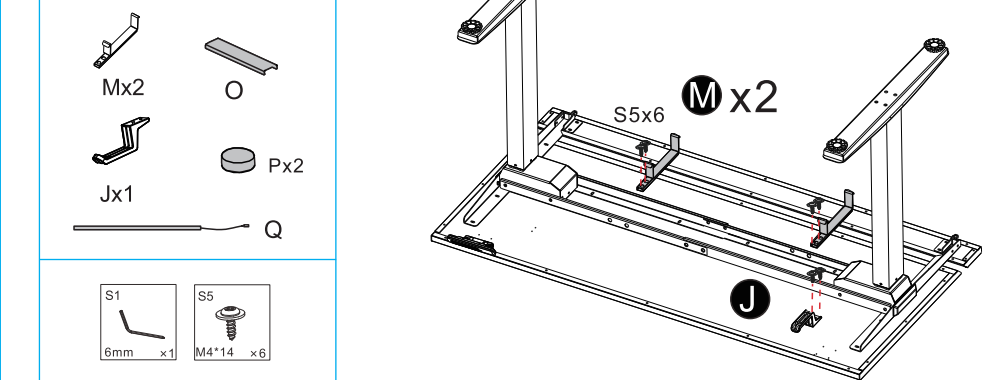
LANGKAH EMPAT



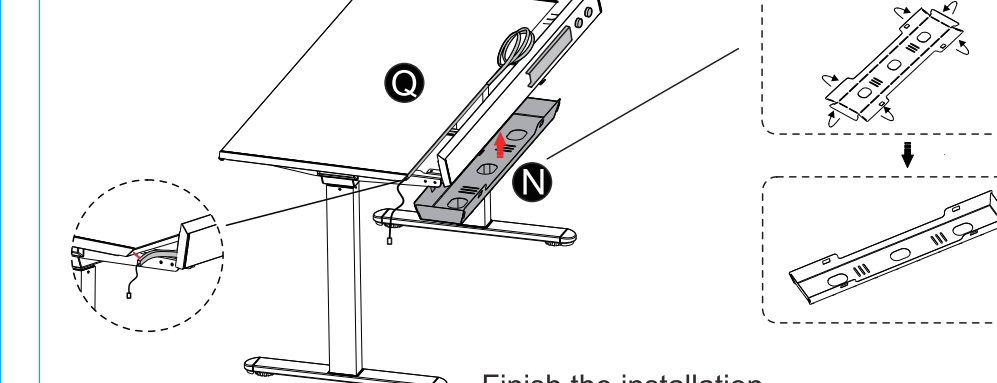
LANGKAH LIMA



LANGKAH ENAM



LANGKAH TUJUH



WORKSTATION



Scan the barcode to go to the Fantech World YouTube channel to see the assembly process video.