



INSTRUCTIONS

SIRUI HC-X Series

Electronic Humidity Control Cabinet

202603

Thank you for purchasing SIRUI Electronic Humidity Control products.
Please read this manual before using.

CONTENT

1. Features	1
2. Safety Instructions	1
3. Safe Operation	1
4. Operation	3
5. Operation Method	4
6. Caution	5
7. Possible problems and troubleshooting.....	5
8. Humidity recommendations	6
9. Packing List	7
10. HC-X series specification	7

Guangdong SIRUI optical co.,ltd.

Address: The Third Industrial District, Wuguishan Town, Zhongshan City, Guangdong, China

Tel: 0086-760-88897373 Fax: 0086-760-88207062

Service Hotline: 0086-400-8302299 <http://www.sirui.com>

1 Features

(1) Introduction of Product Use

The SIRUI Electronic Humidity Control Cabinet can effectively prevent mildew, fogging, oxidation, corrosion, material deformation, and can reduce the possibility of fracture and failure of electronic devices, etc. The regulated environment of the SIRUI Cabinet helps extend the life and value of your most precious possessions.

- ※ Ideal for storing paintings and papers, including calligraphy, antiques, paper currencies, ancient books, fax paper, copy paper, printing paper, etc.
- ※ Ideal for storing optical & electronic devices, such as advanced lenses, photographic equipment, camcorders, computer items, cameras, lenses, microscopes, CDs, telescopes, film, videotapes, microfilms, Slides, etc.
- ※ Ideal for storing precision materials, such as gold/silver and other precious metals, non-metals, metal powder products, electrical equipment, semiconductors, condensers, printed circuit boards, tungsten wires, IC, batteries, etc.
- ※ Ideal for precision machinery equipment products such as crystals, precision measuring tools, optical lenses, optical scanners, spectrometers, etc.

(2) Product Features


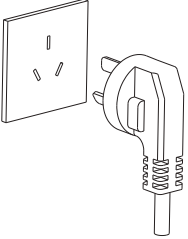
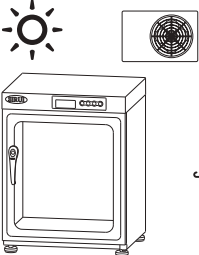
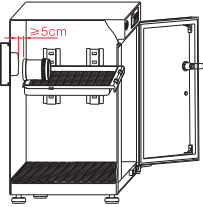
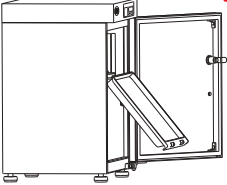
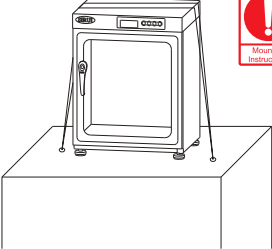
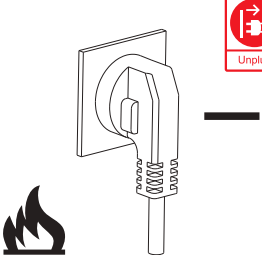

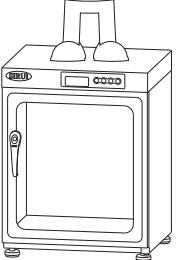


- ※ The SIRUI Electronic Humidity Control Cabinet contains a high performance dehumidifying system with precise microcomputer control, for automatic, worry-free operation.
- ※ Easy-to-read LCD digital display of temperature and humidity.
- ※ The SIRUI Electronic Humidity Control Cabinet is quick, high-efficiency, energy saving and non-polluting.
- ※ The cabinet body is made with high strength steel that is precision welded with high frequency argon arc equipment.
- ※ The door is made of high-quality, tempered glass, which is waterproof, dust-proof and airtight.

2 Safety Instructions

- ※ Please confirm the power supply is AC 110V~240V 50/60Hz before using.
- ※ Inexperienced people and children must use the cabinet under careful supervision and guidance.
- ※ Children should be supervised and should not play with or near the cabinet.
- ※ If the power cord is damaged, it must be replaced with an equivalent power cord. Contact the selling dealer or SIRUI for replacement parts.

3 Safe Operation

Please use the cabinet correctly, to prevent damage to the product or harm to yourself.

 Operating Instructions (Please follow the instructions to prevent damage to the product or harm to yourself.)		
 <p>AC 110V~240V 50/60Hz</p>		
<p>Humidity control cabinet uses single phase alternating current AC 110V~240V 50/60Hz power source.</p> <p>Improper use of power source may cause fire or high temperature.</p>	<p>Do not put the cabinet near an air-conditioner vent or in a room with changeable temperature, direct sunlight or excessive dust.</p> <p>Which may weaken the function of humidity removal.</p>	<p>Keep the goods inside the cabinet at least 5cm (2inches) away from the Humidity Control Component.</p> <p>For proper air circulation and heat release.</p>
		
<p>Use of excessive force when pulling out the shelves from the cabinet may cause the shelves to fall out or be damaged.</p>	<p>The cabinet must be attached to the wall or a sturdy object if the cabinet will be placed on a high surface.</p> <p>To prevent the cabinet from falling and causing damage or personal injury.</p>	<p>If there is any abnormal running or smell, please pull out the power plug immediately.</p> <p>Fire or electric shock may occur.</p>
 Warning! (Follow the instructions to prevent serious harm or damage.)		
		
<p>Do not put objects on top of the cabinet or step on the cabinet.</p> <p>This may damage the cabinet and/or cause personal injury.</p>	<p>Do not put flammable and explosive things into the cabinet.</p>	<p>Do not cover the vents behind the cabinet.</p> <p>Which may cause heat buildup and possible product failure.</p>

4 Operation

(1) Appearance

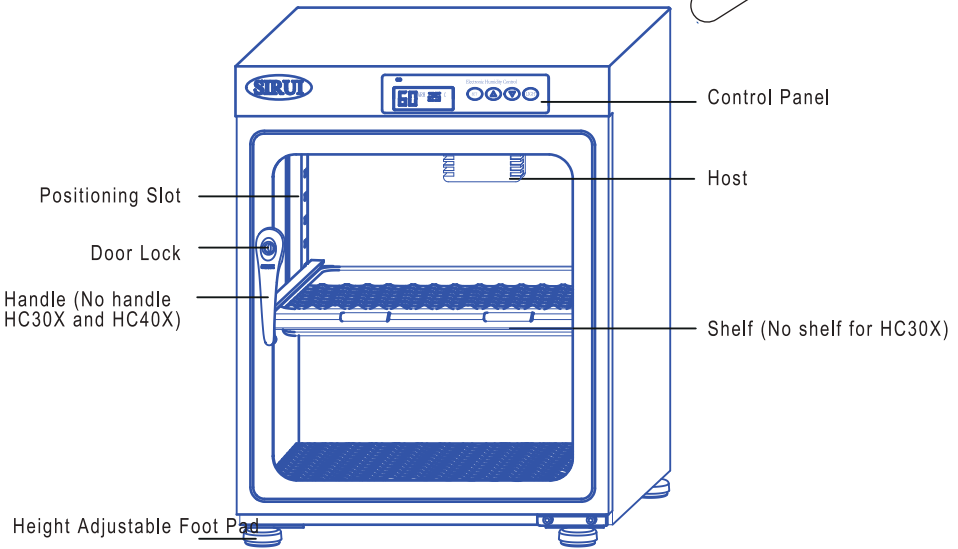
The following picture is only an example for instructional purposes. The actual appearance of your cabinet may be different from the picture.

Caution

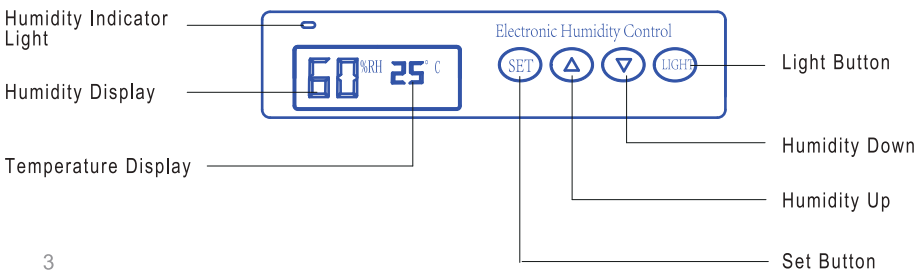
Start and Run the cabinet for 4 hours before placing items in the cabinet.
Accuracy of the humidity control is +/- 2% RH
Factory pre-set of the cabinet internal humidity is 30%RH



Serial number on the back of the cabinet



2. Control System



5 Operation Method

(1) Humidity setting

When you plug in the HC, the system will scan automatically. After 30 seconds, the system will go into Power Saving Mode. Please refer to "Object Storage Humidity Reference Table" (Page 6) to find the corresponding humidity you want (the factory setting of the cabinet is 30% RH).

Press the "SET" button to view the current humidity setting and the value will flash. Use the ▲ Up or ▼ Down button to adjust the desired humidity level. (Long press to adjust continuously.) Press "SET" again to confirm the new setting.

(2) Internal light

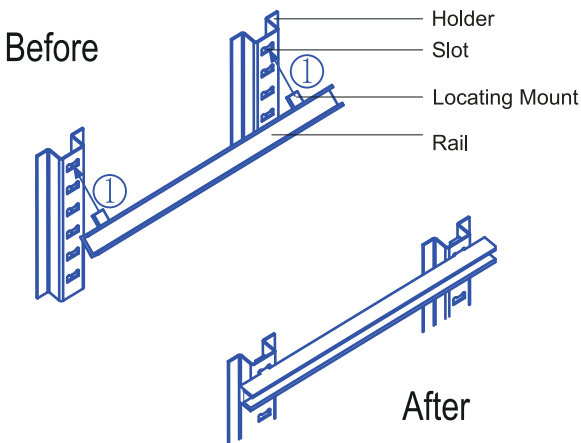
Press the "Light" button once to turn on the internal light. Press it again to turn off the light.

(3) Activate the LCD's backlight

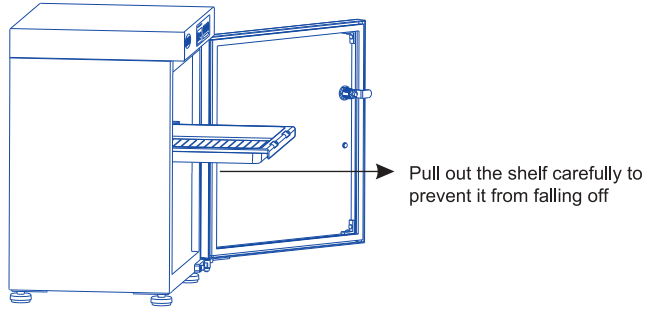
The LCD screen backlight and keypad illumination function or LCD digital display turns on when you press any button on the control panel in normal working mode. The light will turn off after 30 seconds.

(4) Shelf setting (No shelf for HC30X)

- ※ Please do not touch the internal Humidity Control Component when setting up the shelf and guide rail system.
- ※ Both guide rails must be set on the same slot height to ensure that the shelf is horizontal.
- ※ Set up the shelf and check whether the shelf is fixed.
- ※ Improper setting of the shelf may cause blocked moisture absorption window or affect the ventilation inside the cabinet.



② Take out the shelf



6 Caution

1. Do not touch the power plug with wet hands, otherwise it may cause personal harm.
2. If the power cord is aged, broken, loose, or unusually hot, please replace it immediately to avoid fire.
3. When the cabinet is maintained, cleaned or moved, please turn off the power. Please pull out the power plug if the cabinet will not be used for a long time.
4. Do not put corrosive products like chemicals, flammable or explosive items into the cabinet, otherwise it may cause a fire or explosion.
5. Do not clean the cabinet with water. This may damage the electronics and cause a potential shock or fire hazard.
6. Make sure the items inside the cabinet are about 5cm away from the Humidity Control Component so that the system can be properly ventilated .

7 Possible problems and troubleshooting

Problem	Possible reason	Solution
Still doesn't work when turned on	Is Power cord plugged in properly?	Make sure power supply and plug are in good condition and fully plugged into the outlet.
Humidity is not going to desired level	Does the article contain too much moisture?	Dry the article with fan before putting it in the cabinet.
	Inappropriate humidity setting.	Refer to the humidity recommendation for your article and set the proper one.
	Internal humidity is much higher than outside environment.	Set the internal humidity lower than outside environment.
	Opening or closing the door too often.	Reduce the number of times and length of time the door is opened.
	a. High heat from a nearby oven or other heat generating equipment may affect efficiency. b. The blowing from the air outlet of the air conditioner, fan or other equipment may affect air convection. c. The inner articles may block the ventilation outlet.	Stay away from places with high temperatures and strong airflow, Rearrange the inner articles to allow sufficient airflow or remove some articles. Do not block the ventilation outlet.

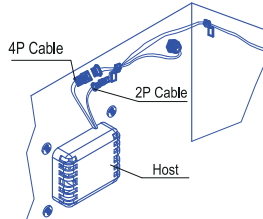


Caution

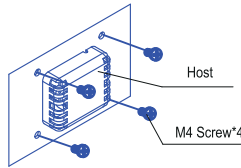
1. Run the cabinet for 4 hours before placing items into the cabinet.
2. Please fan dry items with lots of moisture, like paper, clothes, packing materials before putting into the cabinet.

When the Humidity Control Component is not working, please remove the Component as follows (the power must be shut off first):

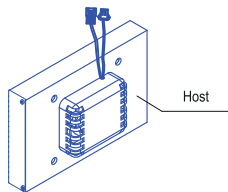
1. Release the connection of both 2P and 4P cables



2. Unscrew the 4 M4 screws and remove the host from the cabinet



3. Send the host to the company for repair



8

Humidity recommendations: Reference Table

Relative humidity	Storage Items
55%-60%RH	Paper material: paintings, antiques, paper currency, old books, fax paper, copy paper, typing paper.
45%-55%RH	Optical equipment: video camera, acoustics, computer equipment, cameras, lenses, microscopes, CDs, telescopes, endoscopes, negative film, video tapes, microfilm, disk drives, lantern slides.
35%-45%RH	Precise Material: metal, nonmetal, metal powder product, electrical equipment, electronic product, semiconductors, capacitors, Printed Circuit Boards, tungsten filament, IC, battery. Rrecision machinery & instrument products: accessory, crystal, precision measuring tools, optical glass, spectrometer etc.
35%-25%RH	Chemical raw materials: pharmacy raw materials, spices, paint, powder, powder material, adhesives. Farm supplies: seeds, pollen, dried flowers.

9 Packing List

S.N.	Description	Unit	HC30X	HC40X	HC50X	HC60X	HC70X	HC80X	HC100X	HC120X	HC200X
1	Power adapter	set	1	1	1	1	1	1	1	1	1
2	Spare key	pcs	2	2	2	2	2	2	2	2	4
3	Moveable shelf	pcs	0	1	2	1	2	2	3	3	4
4	Shelf bracket	pcs	0	2	2	2	4	4	6	6	8
5	Shelf mat	pcs	1	2	2	2	3	3	4	4	6
6	Warranty card and QR code	pcs	1	1	1	1	1	1	1	1	1

10 HC-X series specification

Model	HC30X	HC40X	HC50X	HC60X	HC70X	HC80X	HC100X	HC120X	HC200X
Capacity (L)	30	40	50	60	70	80	100	120	200
Weight (kg)	6	7.3	9.5	10.2	12.3	13.3	16.2	17.5	32.2
Dimensions(mm) height×width×depth	315x400x300	465x320x320	481x400x320	566x400x320	656x400x320	706x400x335	811x400x360	856x450x360	1194x450x420
Humidity control mode	Fully automatic electronic humidity control								
Door material	Aluminum door frame, silk print tempered glass (PVC door frame for HC30X、HC40)								
Cabinet body material	Cold rolled steel with powder coating								
Nominal voltage	AC 110V~240V 50/60Hz								

Product specifications are subject to change without prior notice.



WARRANTY CARD / INFORMATION



Dear SIRUI Customer:

Thank you for your purchase of SIRUI Professional Products! SIRUI warrants that your purchase is free from defects in materials and workmanship under normal use during the Limited Warranty Period. The Warranty begins on the original date of purchase on your sales receipt and is not transferrable. If service is required, a copy of the sales receipt must be included with an explanation of the problem.

Product	Warranty Length
Humidity Control Cabinet (Cabinet)	6 years
Humidity Control Cabinet (Electronics)	3 years

Model: _____ Date: _____

Store: _____ Serial Number: _____

Warranty coverage can differ from region to region.

Please see the contact information below for product registration, information and service for the region the product was purchased in. _____

SIRUI 6 (six) Year Limited Warranty (3 Year Warranty for Electronic Parts). This warranty shall be limited to repair, adjustment and/or replacement at SIRUI or its authorized distributors option, of defective parts, free of charge (except the cost of transportation to the distributor/service center). Responsibility is limited to the actual cost of the item. Call or Email with questions and service before sending any product to the center in your region. Below is a listing of contact information for Product Registration, Service Inquiries and Questions. SIRUI will not be responsible for expenses or inconveniences, or consequential damages to equipment, or by breach of any expressed or implied warranties.

Limitations:

Warranty is non transferable.

This warranty covers all defects encountered in normal use of the equipment and does not apply in the following cases:

1. If the equipment has been serviced by other than an authorized SIRUI Service Center
2. Damage to the equipment is due to modification (including but not limited to, the removal of ballhead clamps), overloading, mishandling, abuse, accident, sand*, corrosives, water damage* or not following operating instructions.
3. No valid proof of purchase is provided.
4. Damage caused by acts of nature (including, but not limited to fires, floods or earthquakes).

*Warranty coverage can differ from region to region. Please see contact information below for product registration, information and service for the region the product was purchased in.



Certification

Serial Number

Model _____

Purchase date _____

Store Name _____

Store Phone _____

Store Address _____

Stamp or seal _____

Warranty Address and Contact Information:

(Please contact the seller or the local distributor where the product was purchased for warranty issues or questions and before any product is sent.)

1. Guangdong SIRUI Optical Co., Ltd.
 The Third Industrial District, WuguishanTown, ZhongshanCity, Guangdong,
 China
 Tel:0086-760-88897373 Fax:0086-760-88207062
 Http://www.sirui.com E-mail: info@sirui-photo.com
 Service Hotline: 0086-400 830 2299
 Complaint Hotline: +86-181 6563 9388
 (Monday to Friday: 8:15am~12:15pm, 14:00pm~18:00pm)

2. SIRUI USA, LLC
 Add: 29 Commerce Court Verona, NJ 07044
 www.sirui.com
 Service: Toll Free 866-373-0829 E-mail: info@sirui.com
FOR PRODUCTS PURCHASED IN THE USA PLEASE SEE:
 For full details on USA Warranty Terms and Limitations:
<https://www.siruiusa.com/warranty.html>
 To register products: <https://www.siruiusa.com/product-registration.html>

3. European Service Center
 Add: SIRUI Optical GmbH • Ernst-Augustin-Str.1a • 12489 Berlin • Germany
 Phone:+49 30 991 94 94 00 • Email: Info@siruioptical.eu



使用说明书

HC-X系列电子防潮柜

202603

**感谢您选购本公司电子防潮柜产品
为了您能够正确、安全的使用，请在使用前仔细阅读本说明书**

目 录

一、产品特点	1
二、安全说明	1
三、安全使用	1
四、操作说明	3
五、操作方法	4
六、使用注意事项	5
七、常见现象与故障排除	5
八、物品存储湿度参考表	6
九、包装清单	7
十、HC-X系列参数表	7

广东思锐光学股份有限公司

地址：广东省中山市五桂山第三工业区

电话：0760-88897373 传真：0760-88207062

服务热线：400 830 2299 <http://www.sirui.com>

投诉电话：181 6563 9388

仅限工作日 (8:15~12:15 14:00~18:00)

一 产品特点

1. 产品用途介绍

本公司的电子防潮柜能有效防止生霉、生雾、氧化锈蚀、材料变形、老化断裂、电子器件失效等，良好的储存环境，能有效延长产品的使用寿命。

- ※ 广泛用于储存纸类：如字画、古董、纸币、古书、传真纸、复印纸、打印纸等。
- ※ 广泛用于储存光学、电子器材：如高级镜头、摄影器材、摄像机、电脑用品、相机、镜头、显微镜、CD、望远镜、底片、影带、微缩影片、幻灯片等。
- ※ 广泛用于储存精密材料：如金/银等贵金属、非金属、金属粉末制品；电器、半导体、电容器、印刷电路板、钨丝、IC、电池等。
- ※ 精密机器仪器产品：晶体、精密量具、光学镜片、单光仪、分光仪等。

2. 产品特点

- ※ 本公司的电子防潮柜采用高性能防潮主机、微电脑全自动湿度控制，全自动除湿。
- ※ 温度、湿度通过LCD屏数字显示，直观明了等特点。
- ※ 防潮柜具有快速、高效、节能、无污染。
- ※ 箱体采用高强度钢板制作，高频氩弧精密焊接。
- ※ 玻璃门采用高质量汽车钢化玻璃，防水防尘以及气密性好。

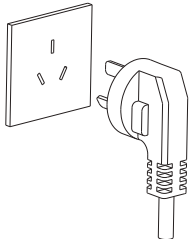
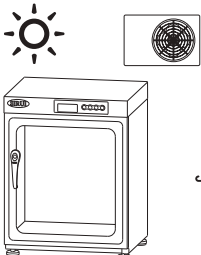
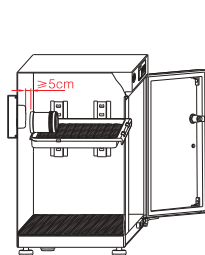
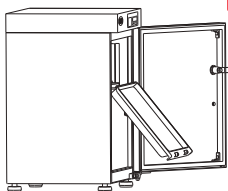
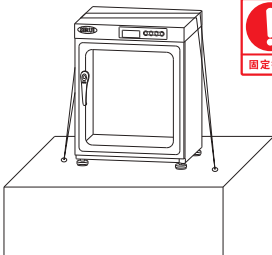
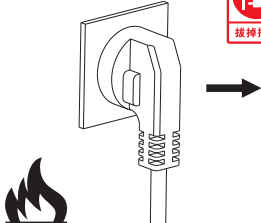
二 安全说明

- ※ 请先确认电源是AC 110V~240V 50/60Hz。
- ※ 本设备在缺乏经验和知识、身体上和心理上障碍的人（包括儿童），必需要在专人的安全监督和指引下使用。
- ※ 儿童应被监督，确保他们不会玩耍本设备。
- ※ 如果电源线损坏，必需要有特定的电源线替换，或者由服务机构或厂商进行维修。

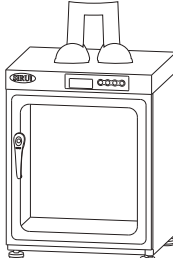

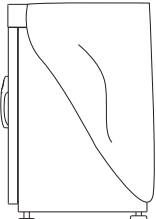
三 安全使用

以下按照因误操作而引起的危险轻重程度区分说明

! 指示操作 (违反标识事项时, 有可能发生轻微的伤害或产品损伤)

 <p>AC 110V~240V 50/60Hz</p>		
<p>防潮柜使用单相交流 AC 110V~240V 50/60Hz 电源。</p> <p>使用电源不当可能引起火灾、高温。</p>	<p>不要在出风口、温度变化强烈、阳光直射、尘埃多的地方放置防潮柜。</p> <p>可能引起除湿功能下降。</p>	<p>放置物品时, 确保物品与防潮主机周边间隙保持5cm以上。</p> <p>便于主机排气、散热及防止物品损坏(因防潮主机会发热)。</p>
		
<p>抽取柜内的隔板时不要过用力。</p> <p>可能导致隔板跌落、损坏。</p>	<p>如果柜机放置在高处, 必须将柜机固定到稳定的物体上。</p> <p>可能引起倾倒、损坏、伤人。</p>	<p>运行异常时或发出异味时请迅速拔掉电源插头。</p> <p>可能引起火灾、触电。</p>

⊘ 禁止操作 (违反标识事项时, 有可能发生严重的伤害)

		
<p>柜体上禁止承载过重物体或者人体直接踩。</p> <p>可能引起柜体倾倒、变形。</p>	<p>禁止放置易燃易爆物品到柜内。</p> <p>易燃易爆、挥发性化学物品可能引起爆炸火灾。</p>	<p>禁止运行时吸湿窗口或排湿窗口被物件覆盖。</p> <p>导致防潮主机散热受阻而产生故障。</p>

四 操作说明

1. 外观结构说明

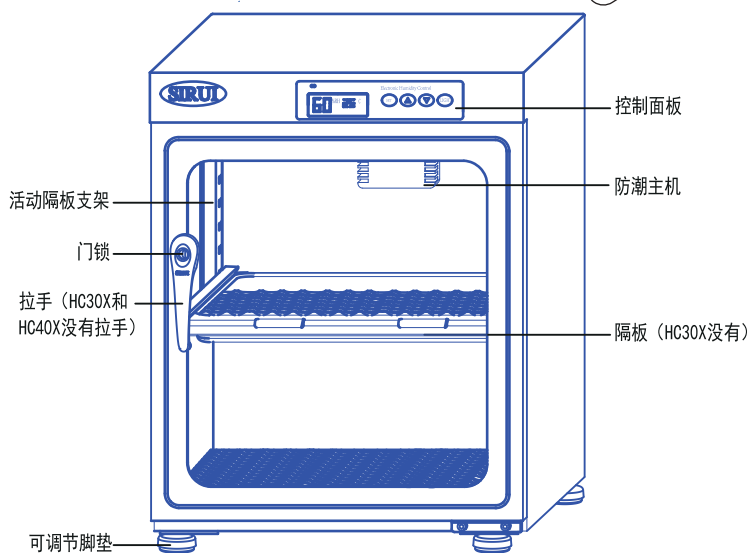
下列图示仅为事例说明，您的防潮柜外形可能与此不完全相同，以实物为准。

⚠ 注意

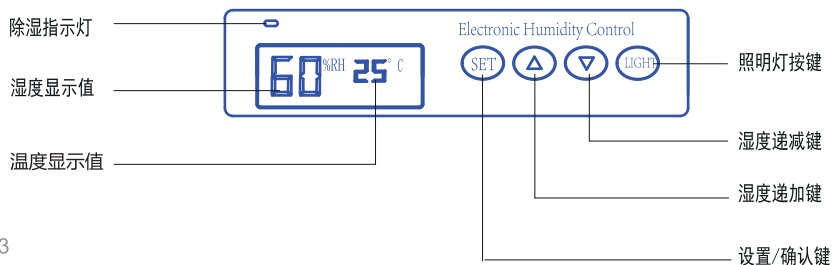
放物件前，空柜运行4小时
湿度控制范围是 $\pm 2\%RH$
电子防潮柜出厂设置湿度为30%RH



柜身背面
产品识别码



2. 控制系统说明



五 操作方法

1. 湿度设定

插上电源，系统自动扫描，30秒后进入省电模式。

电子防潮柜出厂时设置湿度为30%RH，参照物品储存湿度参考表（第6页）设置与您的物品相适应的湿度。

按“SET”键，显示原湿度设定值并闪烁，此时按一下“▲”或“▼”键，湿度值会作加或减变化（若长按“▲”或“▼”键不放，湿度值会不停作加或减变化），当完成设定后，按“SET”键确认，系统自动记录已设湿度值并返回运行模式。

2. 柜内照明

当按Light键时，柜内LED照明灯亮；当再按Light键时，LED照明灯熄灭。

3. 唤醒背光功能

在运行状态下按任意键可唤醒LCD背光功能或数码管数字，背光持续时间为30秒。

4. 隔板设定 (HC30X无隔板)

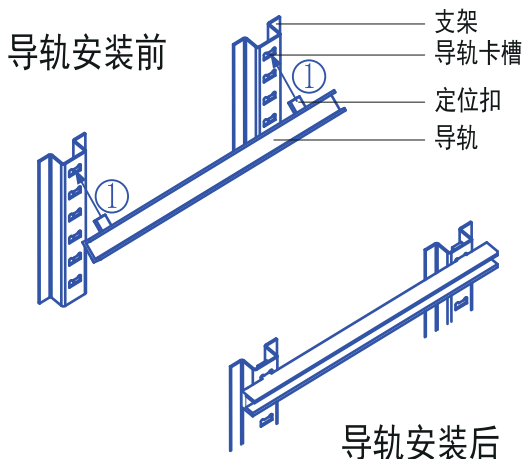
※ 在设置、安装隔板和导轨时注意不要碰到防潮主机。

※ 确保导轨定位块处于支架前后同一高度，同时左右也处于同一高度卡槽。

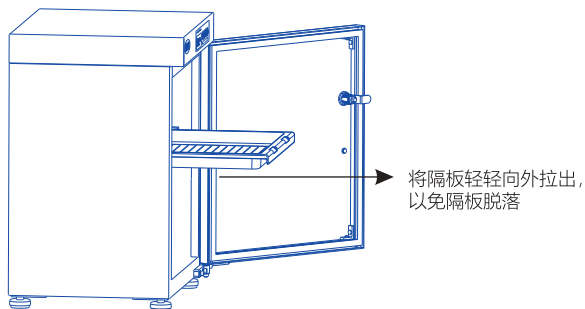
※ 放好隔板并检查固定情况。

※ 隔板放置不当，可能会阻塞防潮主机吸湿窗口或影响柜内空气流通。

1) 隔板导轨的安装



2)隔板的取出



六 使用注意事项

- 1.拔插电源插头时请注意不要湿手进行操作，避免带来人身安全隐患。
- 2.检查电源线及插头有无老化、破裂现象，有无松动等现象，有无异常发热现象，如有请马上更换，以免接触不良造成发热及火灾等安全事故。
- 3.维护、清理或移动电子防潮柜时，请先切断电源，长期不使用电子防潮柜请将插头拔出。
- 4.请勿将有腐蚀性的物品如化学品、易燃易爆品等放入柜内，以免引起火灾。
- 5.清洁防潮柜时，避免防潮主机及电器件进水而导致功能故障或火灾事故。
- 6.使用中确保柜内放置物件与防潮主机之间有5cm左右距离，确保防潮主机通风。

七 常见现象与故障排除

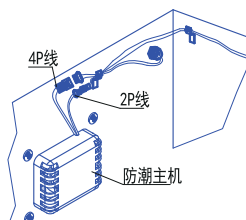
故障与现象	原因分析	排除方法
通电后不开机	电源插头是否正确	确保电源电压正确，插头接触良好，并且电源接通
湿度降不下来	存放物件水份含量是否太高	先用风扇吹干湿气重的物件再存放
	设置湿度方式不当	参照湿度设定值进行操作并确认
	设置湿度是否比外界湿度高	请设定湿度值比外界湿度低
	柜内物品放入过多，导致影响吸湿的对流作用	重新整理柜内物品
	a. 周围是否有高温的发热体（如烘箱之类的） b. 周围是否有冷气空调出风口或风扇等易影响气体对流的设备 c. 摆放的物品是否把防潮主机的通风口阻塞	远离高温、空气流动大的地方；重新整理柜内物品；不要阻塞防潮主机的通风口

⚠ 注意

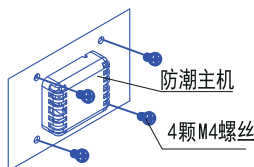
- 1.放物件前，空柜运行4小时。
- 2.存放湿气重的物品如纸类、布类、包装类，请用风扇吹干后再存放。

如遇防潮主机有问题，需要拆下，按如下步骤进行(必须先断开电源):

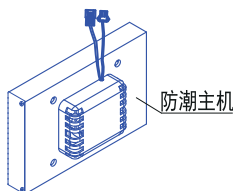
- 1、从柜内将与主机连接的2P和4P接头线拨开



- 2、从柜内将固定防潮主机的4颗M4螺丝松开，就可以拆下防潮主机



- 3、将防潮主机卸下，寄回本公司维修



八 物品储存湿度参考表

相对湿度值	适合储藏物品
55%–60%RH	纸类：画、古董、纸币、古书、传真纸、复印纸、打印纸等
45%–55%RH	光学：摄像机、音响、电脑用品、相机、镜头、显微镜、CD、望远镜、内视镜、底片、影带、微缩影片、磁碟机、幻灯片等
35%–45%RH	精密材料：金属、非金属、金属粉末制品、电器、电子产品、半导体、电容器、印刷电路板、钨丝、IC、电池等； 精密机器仪器产品：附件、耗材、晶体、精密量具、光学镜片、单光仪、分光仪等
35%–25%RH	化工原料：制药原材料、调料、涂料、粉料、粉末材料、接着剂； 农园研究用品：种子、花粉、干燥花等

九 包装清单

序	名称	单位	HC30X	HC40X	HC50X	HC60X	HC70X	HC80X	HC100X	HC120X	HC200X
1	电源适配器	套	1	1	1	1	1	1	1	1	1
2	钥匙	把	2	2	2	2	2	2	2	2	4
3	隔板	块	0	1	2	1	2	2	3	3	4
4	导轨	件	0	2	2	2	4	4	6	6	8
5	海绵	件	1	2	2	2	3	3	4	4	6
6	中英文通用保修卡 (扫码进入有说明书)	份	1	1	1	1	1	1	1	1	1

十 HC-X系列参数表

型号	HC30X	HC40X	HC50X	HC60X	HC70X	HC80X	HC100X	HC120X	HC200X
容量(L)	30	40	50	60	70	80	100	120	200
重量(kg)	6	7.3	9.5	10.2	12.3	13.3	16.2	17.5	32.2
规格高×宽×深(mm)	315x400x300	465x320x320	481x400x320	566x400x320	656x400x320	706x400x335	811x400x360	856x450x360	1194x450x420
湿度控制方式	全自动电子除湿								
门材质	铝门框、丝印钢化玻璃(HC30X、HC40X为PVC门框)								
箱体材质	冷轧钢板，粉末喷涂								
额定电压	AC 110V~240V 50/60Hz								

以上参数信息如有变更，恕不另行通知，敬请原谅！



HC30X

HC40X

HC50X

HC60X

HC70X

HC80X

HC100X

HC120X

HC200X

合格证

产品识别码

产品型号 _____

购买日期 _____

商店名称 _____

商店电话 _____

商店地址 _____

商店盖章 _____

保修卡

尊敬的顾客：

感谢您购买思锐的产品！在正常使用过程中，如果因器材本身的材料及工艺出现质量问题，思锐将会提供免费的保修服务。在需要保修服务时，请提供本保修卡和购买凭证（收据或发票，须有商家盖章）。

思锐公司售后服务热线：400 830 2299

顾客须知：

- (1) 思锐产品，享受6年免费保修（电子部分为3年），保修时间从购买之日算起。
- (2) 所保修产品，必须是在思锐正式授权的经销商或电子商务处所购买。
- (3) 防潮柜的保修：请先确定发生问题的部件，把该部件卸下单独寄回思锐工厂维修即可。具体可参照使用说明书或致电服务热线。
- (4) 以下情况不在保修范围：
 - ① 超过保修期限的；
 - ② 在非思锐正式授权经销商处购买的；
 - ③ 在未被思锐授权的代理商或维修中心维修过的；
 - ④ 由于不正当操作、意外事件、自然灾害导致的故障或损伤。

※ 本保修卡只限中国大陆使用

维修登记表A

用户姓名	
用户电话	
用户地址	
邮编	
故障维修描述	
维修人员签名	
维修时间	

维修登记表B

用户姓名	
用户电话	
用户地址	
邮编	
故障维修描述	
维修人员签名	
维修时间	



取扱説明書

HC-Xシリーズ電子防湿庫

202603

この度は弊社の電子防湿庫をお買い上げいただき、誠にありがとうございます。
正しく安全にご使用いただくため、ご使用前に本取扱説明書
をよくお読みいただきますようお願い申し上げます。

目次

1. 製品の特徴	1
2. 安全上のご注意	1
3. 安全なご使用のために	1
4. 操作説明	3
5. 操作方法	4
6. 使用上の注意	5
7. よくある現象とトラブルシューティング	5
8. 保管湿度目安表	6
9. 梱包リスト	7
10. HC-Xシリーズ仕様表	7

1 製品の特徴

1. 製品の使用例

弊社の電子防湿庫は、カビの発生、結露、錆びや酸化、材質の変形劣化破損、電子部品の故障などを防ぐことができ、良好な保管環境を提供することで、製品の寿命を効果的に延ばすことが可能です。

※さまざまな品物の保管に適しています。書画、骨董品、紙幣、古書、ファクス用紙、コピー用紙、プリンタ用紙など。

※光学機器や電子機器の保管に広く使用できます。カメラ、レンズ、撮影機材、ビデオカメラ、コンピューター用品、顕微鏡、CD、望遠鏡、フィルム、マイクロフィルム、スライドフィルム、ビデオテープ、など。

※精密材料の保管に幅広く使用できます。金銀などの貴金属、非金属、金属粉末製品、電気機器、半導体、コンデンサー、プリント基板、タンゲステン線、IC、電池など。

※精密機械計測機器製品：結晶体、精密測定具、光学レンズ、単光計、分光計など。

2. 製品の特徴

※当社の電子防湿庫は、高性能防湿ユニットとマイクロコンピュータによる全自動湿度制御、全自動除湿機能を採用しています。

※温度と湿度はLCD画面に数字で表示され、ひと目で確認可能です。

※この防湿庫は、迅速、高効率、省エネ、無公害という特長を備えています。

※本体は高強度鋼板製で、高周波アルゴンアーク精密溶接により高い構造強度を確保しています。

※ガラス扉には高品質の自動車用強化ガラスを使用しており、防水防塵性に優れ、気密性も高い設計です。

2 安全上のご注意

※ご使用前に、電源がAC 100V～240V 50/60Hzであることをご確認ください。

※本機器は、経験や知識が不足している方、または身体的精神的に制限のある方（子どもを含む）が使用する場合、必ず専門の指導者の安全監督のもとで使用してください。

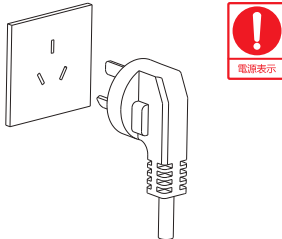
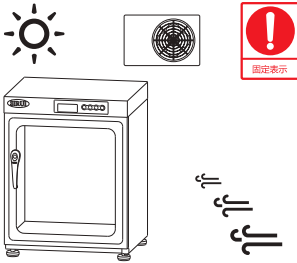
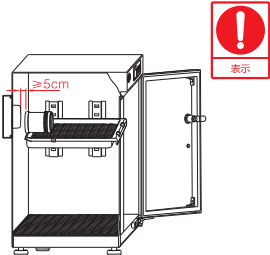
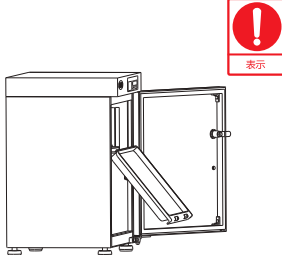
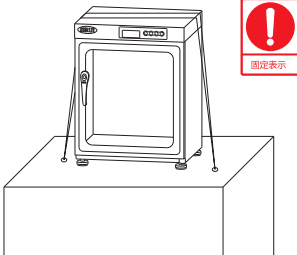
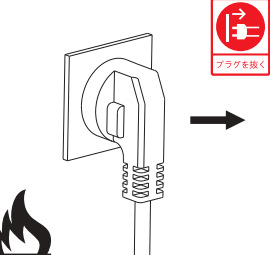
※子どもは、本機器で遊ばないように監督する必要があります。

※電源コードが損傷した場合は、必ず専用の電源コードに交換するか、サービスセンターまたはメーカーによる修理を行ってください。

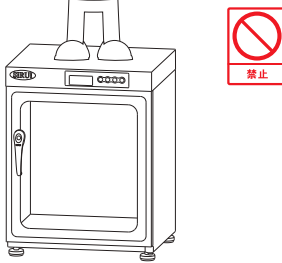
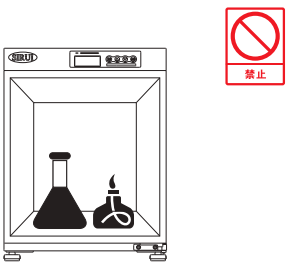
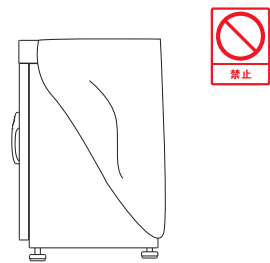
3 安全な使用のために

以下は、操作ミスによって生じる危険の重大度に応じて分類しています。

！ 操作指示 (指示を守らない場合、軽微なけがや製品の損傷が起こる可能性があります)

 <p>AC100V ~ 240V 50/60Hz</p> <p>防湿キャビネットは、単相交流 AC100V ~ 240V 50/60Hz の電源を使用します。</p> <p>電源を正しく使用しないと、火災や高湿の原因となるおそれがあります。</p>	 <p>防湿庫は、送風口のそばや温度の変化が大きい場所、直射日光のあたる場所、ほこりの多い場所を避けて設置してください。</p> <p>除湿機能の低下を引き起こすおそれがあります。</p>	 <p>品物を保管する際は、防湿ユニットの前に5cm以上の隙間を確保してください。</p> <p>防湿ユニットは発熱します。防湿ユニットの排気、放熱および物品の損傷防止のために隙間が必要です。</p>
 <p>防湿庫内の棚板を取り外す際は、力を入れすぎないでください。</p> <p>棚板が落下したり破損したりする可能性があります。</p>	 <p>転倒防止のために、必ず安定した物あるいは壁に固定してください。特に高所の設置には転倒防止の処置が必要です。</p> <p>転倒、破損、けがの原因となる可能性があります。</p>	 <p>異常作動時や異臭がする場合は、速やかに電源プラグを抜いてください。</p> <p>火災、感電の原因となる可能性があります。</p>

⊘ 操作禁止 (表示に反した場合、重大なけがが発生するおそれがあります)

 <p>防湿庫の上に重い物や人が直接乗ることは禁止です。</p> <p>防湿庫の転倒や変形の原因となる可能性があります。</p>	 <p>防湿庫内に可燃性・爆発性の物を置くことは禁止です。</p> <p>可燃性・爆発性および揮発性の化学物質は、爆発や火災の原因となる可能性があります。</p>	 <p>作動中に吸湿窓や排湿窓を物を覆わないでください。</p> <p>防湿ユニットの放熱が妨げられ、故障の原因となる場合があります。</p>
--	--	---

4 操作説明

1. 外観・構造の説明

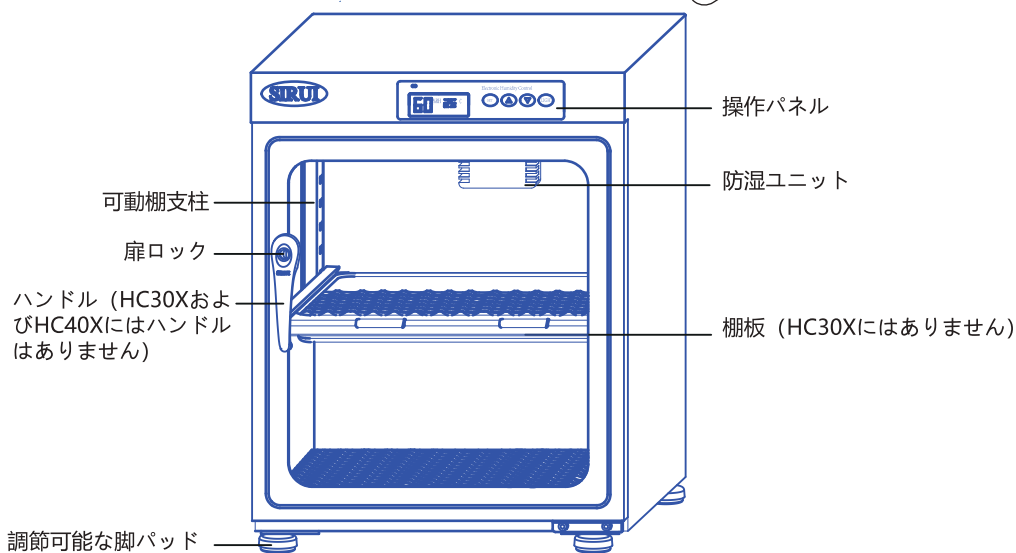
以下の図はあくまで事例であり、お使いの防湿庫の外観はこれと完全に一致しない場合があります。実物を優先してください。

⚠ 注意

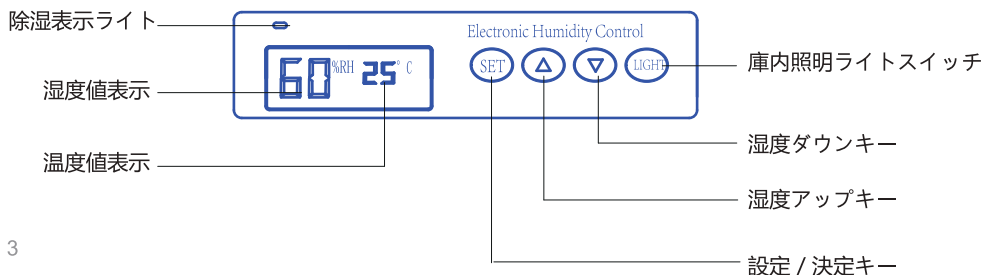
物を入れる前に、空の防湿庫を4時間運転してください
湿度制御範囲は $\pm 2\%$ RHです
電子防湿庫の出荷時の初期設定湿度は30%RHです



防湿庫背面の製品識別コード



2. 制御システムの説明



5 操作方法

1. 湿度設定

電源を接続すると、システムが自動スキャンを行い、30秒後に省エネモードに入ります。電子防湿庫の出荷時初期設定湿度は30%RHです。物品の保管湿度は「物品保管湿度参考表」(6ページ)を参照し、保管する物品に適した湿度に設定してください。「SET」キーを押すと、元の湿度設定値が表示され点滅します。この状態で「▲」キーまたは「▼」キーを押すと、湿度値を増減できます。「▲」キーまたは「▼」キーを長押しすると、湿度値が連続して変化します。設定が完了したら、再度「SET」キーを押して確定してください。システムは設定湿度値を自動で記録し、運転モードに戻ります。

2. 防湿庫内照明

「Light」キーを押すと、防湿庫内のLED照明ライトが点灯します。再度「Light」キーを押すと、LED照明ライトが消灯します

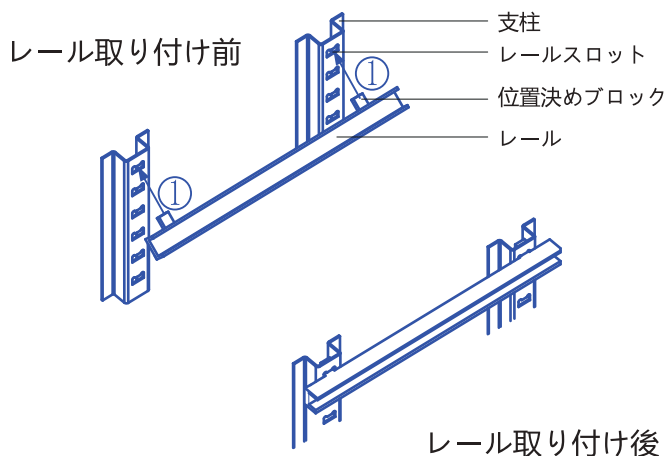
3. バックライト機能の復帰

運転中に任意のキーを押すと、LCDバックライトまたはデジタル表示管の数字が復帰します。バックライト点灯時間は30秒です。

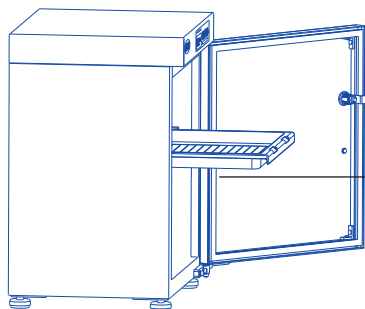
4. 棚板の設定 (HC30Xは棚板なし)

- ※棚板やレールを設定取り付けの際は、防湿ユニットに触れないよう注意してください。
- ※レールの位置決めブロックが支柱の前後で同じ高さ、かつ左右でも同じ高さのスロットにあることを確認してください。
- ※棚板を正しく設置し、固定状態を確認してください。

1) 棚板レールの取り付け



2)棚板の取り出し



棚板を外側に軽く引き出し、棚板が落下しないよう注意してください

6 使用上のご注意

- 1.電源プラグを抜き差しする際は、手が濡れていないことを確認し、人身安全へのリスクを避けてください。
- 2.電源コードやプラグに劣化、破損、緩み、異常発熱がないか確認し、異常がある場合は直ちに交換してください。不良接触による発熱や火災などの安全事故を防ぐためです。
- 3.防湿庫のメンテナンス、清掃、移動を行う場合は必ず電源を切り、長期間使用しない場合はプラグを抜いてください。
- 4.腐食性のある化学薬品や可燃性爆発性の物品などを防湿庫内に入れないでください。火災の恐れがあります。
- 5.防湿庫の清掃時は、防湿ユニットや電気部品に水がかからないよう注意してください。故障や火災の原因となります。
- 6.使用中は、防湿庫内の物品と防湿ユニットの間に約5cmの距離を確保し、防湿ユニットの換気を妨げないようにしてください。

7 よくある現象とトラブルのシューティング

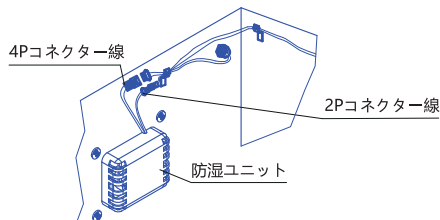
トラブルと現象	原因の分析	対処方法
通電しても電源が入らない	電源プラグが正しく接続されていますか	電源電圧が正しいこと、プラグの接触が良好であること、電源が入っていることを確認してください。
湿度が下がらない	入れる物の水分含量が高すぎませんか	湿気が多い物は、入れる前に乾かしてから防湿庫内に入れてください。
	湿度は正しく設定されていますか	設定湿度値を参照して操作し、確認してください。
	湿度の設定が外気の湿度より高くありませんか	設定湿度は外気の湿度より低くしてください。
	防湿庫内に物を入れすぎて、吸湿の対流に影響を与えていませんか	防湿庫内の物を整理して置き直してください。
	a.周囲に高温の発熱体（オープンなど）がありませんか b.周囲にエアコンの吹き出し口や扇風機など、気流に影響する機器がありませんか c.保管されている物が防湿ユニットの通気口を塞いでいませんか	高温や気流の強い場所から離すようにしてください 防湿庫内の物は整理し直すことをおすすめします 防湿ユニットの通気口を塞がないようにしてください

⚠ 注意

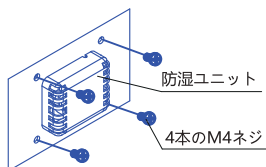
- 1.物を入れる前に、空の状態ですべての除湿庫を4時間程度運転してください。
- 2.紙類、布類、包装物など湿気が多い物は、乾かしてから入れてください。

防湿ユニットに問題が発生し、取り外す必要があるときは、以下の手順で行ってください（必ず電源を切ってから作業してください）。

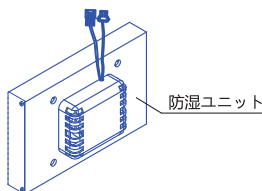
- 1、防湿庫内から、ユニットに接続されている2Pおよび4Pのコネクター線を抜いてください。



- 2、防湿庫内から、防湿ユニットを固定している4本のM4ネジを緩めると、防湿ユニットを取り外すことができます。



- 3、修理が必要と判断された場合は、防湿ユニットを取り外し、弊社の指示に従い返送してください



8 物品保管湿度目安表

相対湿度の値	保管に適した物品
55%–60%RH	紙類画、骨董品、紙幣、古書、ファクス用紙、コピー用紙、プリンタ用紙など
45%–55%RH	光学機器：ビデオカメラ、音響機器、コンピュータ用品、カメラ、レンズ、顕微鏡、CD、望遠鏡、内視鏡、フィルム、ビデオテープ、マイクロフィルム、磁気ディスクドライブ、スライドなど
35%–45%RH	精密材料：金属、非金属、金属粉末製品、電気機器、電子製品、半導体、コンデンサー、プリント基板、タングステン線、IC、電池など 精密機械器具製品：アクセサリ、消耗品、結晶体、精密測定具、光学レンズ、単光計、分光計など
35%–25%RH	化学材料：医薬原材料、添加剤、塗料、粉末原料、粉末材料、接着剤など 農業園芸研究用品：種子、花粉、ドライフラワーなど

9 番号梱包リスト

番号	名称	単位	HC30X	HC40X	HC50X	HC60X	HC70X	HC80X	HC100X	HC120X	HC200X
1	電源アダプター	セット	1	1	1	1	1	1	1	1	1
2	鍵	本	2	2	2	2	2	2	2	2	4
3	棚板	枚	0	1	2	1	2	2	3	3	4
4	レール	本	0	2	2	2	4	4	6	6	8
5	スポンジ	個	1	2	2	2	3	3	4	4	6
6	中英併記保証書 (QRコードで説明書)	部	1	1	1	1	1	1	1	1	1

10 HC-Xシリーズ仕様表

型番	HC30X	HC40X	HC50X	HC60X	HC70X	HC80X	HC100X	HC120X	HC200X
容量(L)	30	40	50	60	70	80	100	120	200
重量(kg)	6	7.3	9.5	10.2	12.3	13.3	16.2	17.5	32.2
寸法(mm) (高さ・幅・奥行き)	315x400x300	465x320x320	481x400x320	566x400x320	656x400x320	706x400x335	811x400x360	856x450x360	1194x450x420
湿度制御方式	全自動電子除湿								
扉材質	アルミ扉枠、シルク印刷強化ガラス(HC30X、HC40XはPVC扉枠です)								
本体材質	冷間圧延鋼板、粉体塗装								
定格電圧	AC 100V~240V 50/60Hz								

製品の仕様は変更される場合があります。別途に通知はいたしませんのでご了承ください。





保証書

国内総販売元
常盤写真用品株式会社

〒460-0011
愛知県名古屋市中区大須
4丁目3番43号
TEL:052-251-0351
FAX:052-251-0981
MAIL:info@sirui-japan.com

シリアルナンバー

保証書

この度は、SIRUI電子防湿庫をお買い上げ頂きまして誠にありがとうございました。
お客様の正常なご使用状態で、万一故障した場合には、本保証書記載内容により
無償修理いたします。

《保証規定》

- SIRUI電子防湿庫の保証期間はご購入年月日より6年間（電子ユニットは3年間）です。
- 保証の対象となる製品は、日本国内の正規代理店（常盤写真用品株式会社）より販売された製品に限ります。
- 保証書は紛失されても再発行致しませんので大切に保管して下さい。
- 本保証書は、日本国内においてのみ有効です。
- ご購入年月日・ご購入店名のなきものは無効です。
- 万一商品に不具合があり、お客様ご自身で商品に手を加えた場合（加工・補修等）は、返品、交換、及びメーカーの保証はお受けできません。あらかじめご了承ください。
- メーカーによる不良認定のない商品は、お客様へご返却させていただきます。あらかじめご了承ください。
- お客様のご使用方法がもとで起因する不良（落下による故障・破損・水漏れ等）は、弊社、メーカーの保証はお受けできません。あらかじめご了承ください。
- 修理の際は本保証書と購入日の記載されたレシートと一緒に添付の上、ご購入された販売店様にお申し出ください。

型名		
お買上げ年月日		
お客様	ご住所	
	ご氏名	
販売店	店名	
	住所	

TEL

印



Bedienungsanleitung

SIRUI HC-X Serie

Elektronischer Feuchtigkeitsreglerschrank

202603

Vielen Dank für den Kauf der elektronischen SIRUI-Produkte zur Feuchtigkeitskontrolle. Bitte lesen Sie diese Anleitung vor der Verwendung sorgfältig durch.

Inhalt

1. Eigenschaften	1
2. Sicherheitshinweise	1
3. Sicherer Betrieb	1
4. Bedienung	3
5. Funktionsweise	4
6. Vorsicht	5
7. Mögliche Probleme und Fehlerbehebung	5
8. Empfehlungen zur Luftfeuchtigkeit	6
9. Inhalt	7
10. Spezifikation der HC-X-Serie	7

Guangdong SIRUI optical co.,ltd.

Address: The Third Industrial District, Wuguishan Town, Zhongshan City, Guangdong, China

Tel: 0086-760-88897373 Fax: 0086-760-88207062

Service Hotline: 0086-400-8302299 <http://www.sirui.com>

1 Eigenschaften

(1) Verwendungszweck:

Der Schrank verhindert effektiv Schimmel, Beschlagen, Oxidation, Korrosion und Materialverformung. Er verlängert die Lebensdauer und den Wert Ihrer wertvollsten Besitztümer.

Ideal für:

- ※ Papier: Gemälde, Antiquitäten, Banknoten, alte Bücher, Fax-/Kopierpapier.
- ※ Optik & Elektronik: Objektive, Kameras, Mikroskope, CDs, Filme, Videobänder.
- ※ Präzisionsmaterialien: Edelmetalle, Halbleiter, Leiterplatten, ICs, Batterien.
- ※ Präzisionsgeräte: Kristalle, Messwerkzeuge, Spektrometer.

(2) Produktmerkmale:


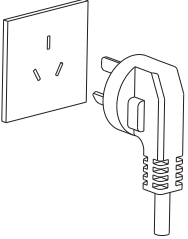

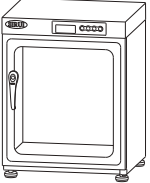
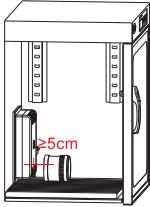
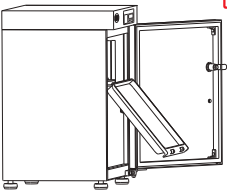
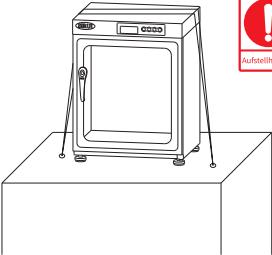
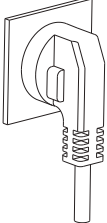

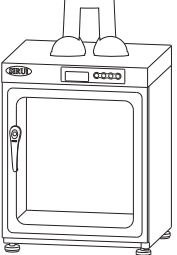

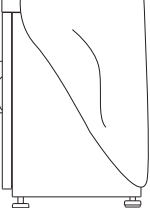
- ※ Hochleistungs-Entfeuchtungssystem mit Mikrocomputer-Steuerung,
- ※ LCD-Anzeige für Temperatur und Feuchtigkeit,
- ※ energiesparend und umweltfreundlich,
- ※ Das Gehäuse besteht aus hochfestem Stahl,
- ※ die Tür aus gehärtetem Glas.

2 Sicherheitshinweise

- ※ Prüfen Sie vor Gebrauch, ob die Stromversorgung AC 110V~240V 50/60Hz beträgt.
- ※ Kinder und unerfahrene Personen müssen bei der Nutzung beaufsichtigt werden.
- ※ Kinder sollten beaufsichtigt werden und nicht mit oder in der Nähe des Schrankes spielen.
- ※ Beschädigte Netzkabel dürfen nur durch Originalteile ersetzt werden.

3 Sicherer Betrieb

Bitte benutzen Sie den Schrank sachgemäß, um Schäden am Produkt oder Verletzungen zu vermeiden.

 Bedienungsanleitung (Bitte befolgen Sie die Anweisungen, um Schäden am Produkt oder Verletzungen zu vermeiden.)		
 <p>AC 110V~240V 50/60Hz</p>	 	
<p>Der Feuchtigkeitsreglerschrank verwendet eine einphasige Wechselstromquelle (AC 110V~240V 50/60Hz).</p> <p>Unsachgemäße Verwendung kann zu Bränden oder Überhitzung führen.</p>	<p>Stellen Sie den Schrank nicht in die Nähe von Klimaanlage, direktem Sonnenlicht oder an staubige Orte.</p> <p>Dies kann die Funktion der Entfeuchtung beeinträchtigen.</p>	<p>Halten Sie gelagerte Gegenstände mindestens 5 cm von der Feuchtigkeitskontrolleinheit entfernt, um die Luftzirkulation zu gewährleisten.</p> <p>Für eine optimale Luftzirkulation und Wärmeabfuhr.</p>
		
<p>Wird beim Herausziehen der Regalböden aus dem Schrank zu viel Kraft angewendet, können die Regalböden herausfallen oder beschädigt werden.</p>	<p>Befestigen Sie den Schrank an der Wand oder einem stabilen Objekt, falls er erhöht aufgestellt wird.</p> <p>um ein Umfallen zu verhindern.</p>	<p>Sollten Sie ungewöhnliche Betriebszustände oder Gerüche feststellen, ziehen Sie bitte sofort den Netzstecker.</p> <p>Es besteht Brand- oder Stromschlaggefahr.</p>
 Warnung! (Befolgen Sie die Anweisungen, um schwere Verletzungen oder Schäden zu vermeiden.)		
		
<p>Stellen Sie keine Gegenstände auf den Schrank und treten Sie nicht darauf.</p> <p>Dies kann den Schrank beschädigen und/oder zu Verletzungen führen.</p>	<p>Brennbare und explosive Stoffe dürfen nicht in den Schrank gelegt werden.</p>	<p>Die Lüftungsschlitze hinter dem Gehäuse dürfen nicht abgedeckt werden.</p> <p>Dies kann zu Wärmestau und möglicherweise zu Produktschäden führen.</p>

4 Bedienung

(1) Erscheinung

Das folgende Bild dient lediglich als Beispiel und ist nicht verbindlich. Das tatsächliche Aussehen Ihres Schrankes kann vom Bild abweichen.

Warnung

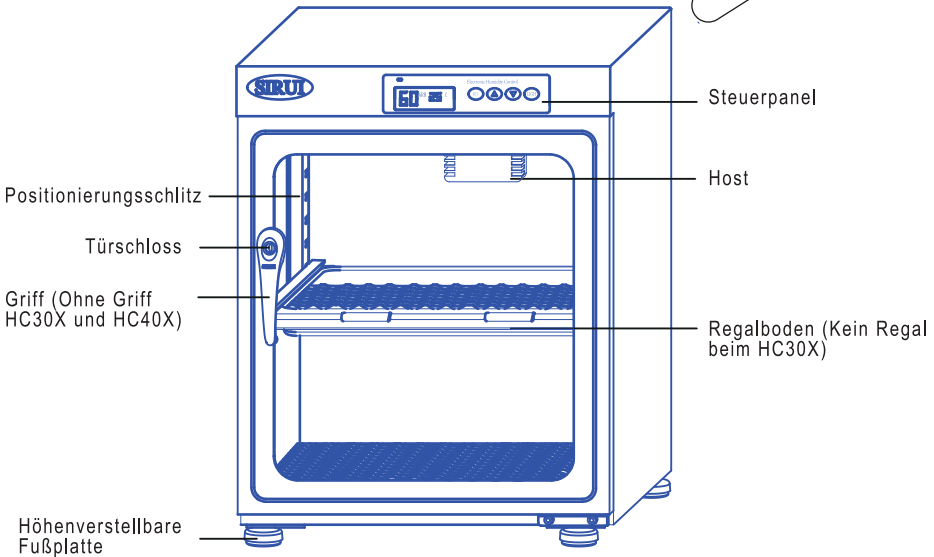
Lassen Sie den leeren Schrank 4 Stunden lang laufen, bevor Sie Gegenstände hineinlegen.

Die Genauigkeit der Feuchtigkeitsregelung beträgt +/- 2% Luftfeuchtigkeit.

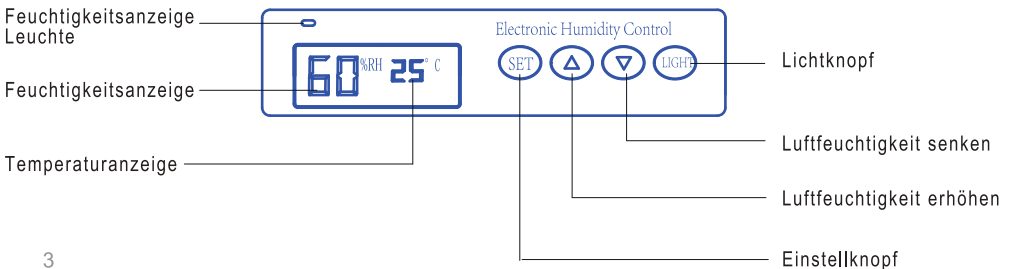
Die werkseitig voreingestellte Luftfeuchtigkeit im Schrankinneren beträgt 30% relative Luftfeuchtigkeit.



Seriennummer auf der Rückseite des Gehäuses



(2) Steuerungssystem



5 Funktionsweise

(1) Einstellung der Luftfeuchtigkeit

Schließen Sie das Gerät an die Stromversorgung an. Das System scannt automatisch und wechselt nach 30 Sekunden in den Energiesparmodus.

Der elektronische Luftentfeuchter ist werkseitig auf 30 % relative Luftfeuchtigkeit eingestellt. Die für Ihre Gegenstände geeignete Luftfeuchtigkeit entnehmen Sie bitte der Tabelle mit den Referenzwerten für die Lagerung (Seite 6).

Drücken Sie die SET-Taste. Die ursprüngliche Luftfeuchtigkeitseinstellung blinkt. Drücken Sie anschließend kurz die AUF- oder AB-Taste, um den Wert zu erhöhen oder zu verringern (wenn Sie die AUF- oder AB-Taste gedrückt halten, erhöht oder verringert sich der Wert kontinuierlich). Drücken Sie nach der Einstellung die SET-Taste zur Bestätigung. Das System speichert den eingestellten Wert automatisch und kehrt in den Betriebsmodus zurück.

(2) Innenbeleuchtung

Taste LIGHT: Schaltet die Innenbeleuchtung ein/aus.

(3) Hintergrundbeleuchtung des LCD-Bildschirms aktivieren

Die Hintergrundbeleuchtung des LCD-Bildschirms und die Tastenbeleuchtung bzw. die digitale LCD-Anzeige schalten sich im normalen Betriebsmodus beim Drücken einer beliebigen Taste auf dem Bedienfeld ein. Die Beleuchtung schaltet sich nach 30 Sekunden wieder aus.

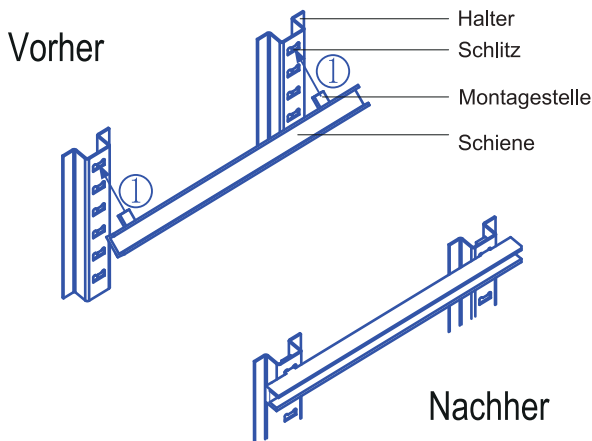
(4) Regaleinstellungen (Kein Regal beim HC30X)

Bitte berühren Sie die interne Feuchtigkeitsregelungskomponente nicht, während Sie das Regal- und Führungsschienensystem aufbauen.

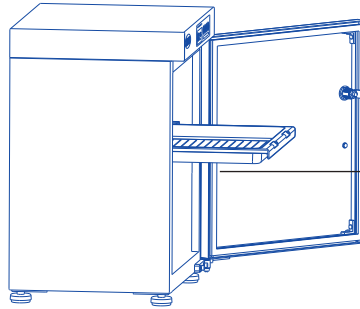
Beide Führungsschienen müssen auf der gleichen Nuthöhe eingestellt sein, um sicherzustellen, dass der Schild horizontal ausgerichtet ist.

Stellen Sie das Regal auf und prüfen Sie, ob es fest sitzt.

Eine unsachgemäße Einstellung des Regals kann dazu führen, dass die Feuchtigkeitsaufnahme blockiert wird oder die Belüftung im Inneren des Schanks beeinträchtigt wird.



② Regalboden herausnehmen



Ziehen Sie das Regal vorsichtig heraus, um zu verhindern, dass es herunterfällt.

6 Vorsicht

1. Berühren Sie den Netzstecker nicht mit nassen Händen, da dies zu Verletzungen führen kann.
2. Wenn das Netzkabel beschädigt, locker oder ungewöhnlich heiß ist, ersetzen Sie es bitte umgehend, um Brandgefahr zu vermeiden.
3. Wenn das Gerät gewartet, gereinigt oder bewegt wird, schalten Sie bitte den Strom aus. Ziehen Sie den Netzstecker, wenn das Gerät längere Zeit nicht verwendet wird.
4. Bringen Sie keine korrosiven Produkte wie Chemikalien sowie keine brennbaren oder explosiven Gegenstände in das Gerät ein, da dies zu einem Brand oder einer Explosion führen kann.
5. Bringen Sie das Gerät nicht mit Wasser in Kontakt. Dies kann die Elektronik beschädigen und zu Stromschlag- oder Brandgefahr führen.
6. Achten Sie darauf, dass die Gegenstände im Gerät etwa 5 cm Abstand zur Feuchtigkeitskontrollkomponente haben, damit das System ordnungsgemäß belüftet werden kann.

7 Mögliche Probleme und Fehlerbehebung

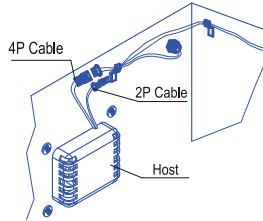
Problem	Mögliche Ursache	Lösung
Funktioniert auch nach dem Einschalten nicht	Ist das Netzkabel richtig eingesteckt?	Vergewissern Sie sich, dass Netzteil und Stecker in einwandfreiem Zustand und vollständig in die Steckdose eingesteckt sind.
Die Luftfeuchtigkeit erreicht nicht den gewünschten Wert	Enthält der Artikel zu viel Feuchtigkeit?	Trocknen Sie den Artikel mit einem Ventilator, bevor Sie ihn in den Schrank legen.
	Ungeeignete Luftfeuchtigkeitseinstellung.	Beachten Sie die Empfehlungen zur Luftfeuchtigkeit für Ihren Artikel und stellen Sie den richtigen Wert ein.
	Die Luftfeuchtigkeit im Innenraum ist viel höher als im Außenbereich.	Die Luftfeuchtigkeit im Innenraum sollte niedriger sein als die Luftfeuchtigkeit im Außenbereich.
	Die Tür zu oft öffnen oder schließen.	Die Häufigkeit und Dauer des Öffnens der Tür reduzieren.
	a. Hohe Wärme von einem nahegelegenen Ofen oder anderen wärmeerzeugenden Geräten kann die Effizienz beeinträchtigen. b. Der Luftstrom aus dem Luftauslass der Klimaanlage, des Ventilators oder anderer Geräte kann die Luftzirkulation beeinträchtigen. c. Gegenstände im Inneren können den Lüftungsauslass blockieren.	Meiden Sie Orte mit hohen Temperaturen und starker Luftzirkulation. Ordnen Sie die Gegenstände im Inneren so an, dass ausreichend Luft zirkulieren kann, oder entfernen Sie einige Gegenstände. Blockieren Sie die Lüftungsöffnung nicht.

Warnung

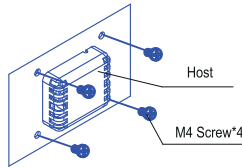
1. Lassen Sie den leeren Schrank 4 Stunden lang laufen, bevor Sie Gegenstände hineinlegen.
2. Bitte trocknen Sie feuchte Gegenstände wie Papier, Kleidung und Verpackungsmaterialien vor dem Einräumen in den Schrank mit einem Ventilator.

Wenn die Komponente zur Feuchtigkeitsregelung nicht funktioniert, entfernen Sie die Komponente bitte wie folgt (die Stromzufuhr muss vorher unterbrochen werden):

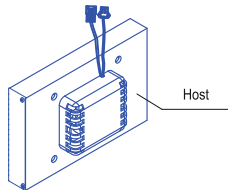
1. Trennen Sie die Verbindung der 2P- und 4P-Kabel.



2. Lösen Sie die 4 M4-Schrauben und entnehmen Sie das Gerät aus dem Gehäuse.



3. Senden Sie das Gerät zur Reparatur an das Unternehmen.



8 Empfehlungen zur Luftfeuchtigkeit

Relative Luftfeuchtigkeit	Lagergegenstände
55%-60%RH	Papier, Gemälde, Antiquitäten.
45%-55%RH	Kameras, Objektive, Computer, Filme.
35%-45%RH	Metalle, Batterien, elektronische Bauteile, Präzisionsmesszeuge.
35%-25%RH	Chemische Rohstoffe, Gewürze, Samen, Trockenblumen.

9 Inhalt

S.N.	Beschreibung	Unit	HC30X	HC40X	HC50X	HC60X	HC70X	HC80X	HC100X	HC120X	HC200X
1	Netzteil	set	1	1	1	1	1	1	1	1	1
2	Ersatzschlüssel	pcs	2	2	2	2	2	2	2	2	4
3	Bewegliches Regal	pcs	0	1	2	1	2	2	3	3	4
4	Regalhalterung	pcs	0	2	2	2	4	4	6	6	8
5	Regalmatte	pcs	1	2	2	2	3	3	4	4	6
6	Garantiekarte und QR-Code	pcs	1	1	1	1	1	1	1	1	1

10 Spezifikationen der HC-X-Serie

Modell	HC30X	HC40X	HC50X	HC60X	HC70X	HC80X	HC100X	HC120X	HC200X
Kapazität (L)	30	40	50	60	70	80	100	120	200
Gewicht (kg)	6	7.3	9.5	10.2	12.3	13.3	16.2	17.5	32.2
Dimensionen(mm) Höhe/Breite/Tiefe	315x400x300	465x320x320	481x400x320	566x400x320	656x400x320	706x400x335	811x400x360	856x450x360	1194x450x420
Feuchtigkeitsregelungsmodus	Vollautomatische elektronische Feuchtigkeitsregelung								
Türmaterial	Türrahmen aus Aluminium, Siebdruck-Sicherheitsglas (PVC-Türrahmen für HC30X, HC40)								
Gehäusematerial	Kaltgewalzter Stahl mit Pulverbeschichtung								
Nennspannung	AC 110V~240V 50/60Hz								

Produktspezifikationen können ohne vorherige Ankündigung geändert werden.



GARANTIEKARTE / INFORMATIONEN



Sehr geehrter SIRUI-Kunde:

vielen Dank für den Kauf von SIRUI Professional-Produkten!

SIRUI garantiert, dass Ihr Produkt während der eingeschränkten Garantiezeit bei normalem Gebrauch frei von Material- und Verarbeitungsfehlern ist.

Die Garantie beginnt mit dem ursprünglichen Kaufdatum auf Ihrem Kaufbeleg und ist nicht übertragbar.

Falls ein Service erforderlich ist, muss eine Kopie des Kaufbelegs zusammen mit einer Problembeschreibung eingereicht werden.

Produkt	Garantiedauer
Feuchtigkeitskontrollschrank (Gehäuse)	6 Jahre
Feuchtigkeitskontrollschrank (Elektronik)	3 Jahre

Modell: _____ Datum: _____

Geschäft: _____ Seriennummer: _____

Die Garantiebedingungen können je nach Region variieren. Bitte entnehmen Sie die untenstehenden Kontaktinformationen für Produktregistrierung, Informationen und Service für die Region, in der das Produkt gekauft wurde.

SIRUI (6 Jahre) Garantie mit eingeschränkter 3-Jahres-Garantie für Elektronikteile.

Diese Garantie beschränkt sich auf Reparatur, Anpassung und/oder Austausch nach Ermessen von SIRUI oder seinen autorisierten Vertriebspartnern, von defekten Teilen, sofern diese kostenlos sind (mit Ausnahme von Kosten für Transport zum Händler/Servicecenter).

Die Verantwortung ist auf die tatsächlichen Kosten des Artikels beschränkt.

Sämtliche Ansprüche für Fragen und Service vor oder nach dem Kauf können über die untenstehende Region erfolgen.

Unten finden Sie eine Liste der Kontaktinformationen für Produktregistrierung, Serviceanfragen und Fragen.

SIRUI haftet nicht für Kosten oder Unannehmlichkeiten sowie für Folgeschäden am Gerät oder für die Verletzung ausdrücklich genannter oder stillschweigend vorausgesetzter Garantien.

Einschränkungen

Die Garantie ist nicht übertragbar.

Diese Garantie deckt alle Mängel ab, die bei normaler Nutzung des Geräts auftreten, und gilt nicht in folgenden Fällen:

1. Wenn das Gerät von anderen als autorisierten SIRUI-Servicezentren gewartet wurde.
2. Schäden am Gerät durch Modifikationen (einschließlich, aber nicht beschränkt auf das Entfernen von Kugelkopf-Klemmen), Überladung, unsachgemäße Handhabung, Missbrauch, Unfall, Sand, korrosive Stoffe, Wasserschäden* oder Nichtbeachtung der Bedienungsanleitung.
3. Kein gültiger Kaufnachweis vorhanden.
4. Schäden durch höhere Gewalt (einschließlich, aber nicht beschränkt auf Brände, Überschwemmungen oder Erdbeben).



Modell _____

Kaufdatum _____

Name des Geschäfts _____

Telefonnummer
des Geschäfts _____

Adresse des Geschäfts _____

Geschäftsstempel _____

Adresse und Kontaktdaten für die Garantieabwicklung:

(Bitte wenden Sie sich bei Garantiefragen oder anderen Anliegen an den Händler oder den lokalen Distributor, bei dem das Produkt gekauft wurde, bevor ein Produkt versendet wird.)

1. Guangdong SIRUI Optical Co., Ltd.
The Third Industrial District, WuguishanTown, ZhongshanCity, Guangdong,
China
Tel:0086-760-88897373 Fax:0086-760-88207062
Http://www.sirui.com E-mail: info@sirui-photo.com
Service Hotline: 0086-400 830 2299
Complaint Hotline: +86-181 6563 9388
(Monday to Friday: 8:15am~12:15pm, 14:00pm~18:00pm)

2. SIRUI USA, LLC
Add: 29 Commerce Court Verona, NJ 07044
www.sirui.com
Service: Toll Free 866-373-0829 E-mail: info@sirui.com
FOR PRODUCTS PURCHASED IN THE USA PLEASE SEE:
For full details on USA Warranty Terms and Limitations:
<https://www.siruiusa.com/warranty.html>
To register products: <https://www.siruiusa.com/product-registration.html>

3. European Service Center
Add: SIRUI Optical GmbH • Ernst-Augustin-Str.1a • 12489 Berlin • Germany
Phone:+49 30 991 94 94 00 • Email: Info@siruioptical.eu